

# The new BMW 5 Series. Contents.



<b>1. The new BMW 5 Series.</b> (Short version) .....	2
<b>2. The BMW 5 Series Sedan, BMW 5 Series Touring and BMW 5 Series Gran Turismo: A global success story. ....</b>	7
<b>3. Design and body: Timeless elegance, cutting-edge functionality and made-to-measure luxury. ....</b>	9
<b>4. Powertrain and chassis: The perfect balance of dynamics and comfort. ....</b>	14
<b>5. BMW ConnectedDrive in the new BMW 5 Series: Unique innovations enhancing safety, comfort and infotainment. ....</b>	18
<b>6. BMW EfficientDynamics for the new BMW 5 Series: Increasing driving pleasure, reducing fuel consumption. ....</b>	22
<b>7. Technical specifications. ....</b>	24
<b>8. Output and torque diagrams. ....</b>	68
<b>9. Exterior and interior dimensions. ....</b>	79

# 1. The new BMW 5 Series. (Short version)



Dynamic ability, comfort, efficiency, aesthetic allure and a profusion of innovations designed to enhance driving pleasure – the BMW 5 Series contains all the signature ingredients of a best-selling model at the premium end of the executive segment. Indeed, consistently rising sales figures have sealed its position as the global leader in its class. Over one million units of the BMW 5 Series Sedan, BMW 5 Series Touring and BMW 5 Series Gran Turismo – whose luxurious character has earned it a unique status in the segment – have been sold worldwide since the launch of the current generation. And now another new chapter in this impressive success story is poised to begin. Precise modifications to the cars' design, new engine variants and innovative additions to the range of available equipment as well as BMW ConnectedDrive technology all raise the appeal of the BMW 5 Series model family a notch higher still.

## **Design: precise modifications bring out its sporting character.**

Additional contour lines for the surround of the BMW kidney grille and newly structured lower air intakes reinforce the sporting appearance of the new BMW 5 Series Sedan and new BMW 5 Series Touring. On both variants, the accentuated width of the rear end is underlined by an extra crease in the apron, as well as slim, sharply contoured and therefore even more striking rear lights.

The new BMW 5 Series Gran Turismo boasts a modified front apron exuding presence and solidity. Its redesigned rear end creates a longer and lower-to-the-ground impression. A three-dimensional surface design for the area around the licence plate holder and a chrome strip in the rear apron add further depth to its dynamic character.

Xenon headlights are fitted as standard on all models, while Adaptive LED Headlights take their place on the options list for the first time alongside LED fog lamps. Elsewhere, the side indicator lights are integrated into the exterior mirrors. Also new in the BMW 5 Series are the BMW Luxury Line and BMW Modern Line packages containing exclusive design and equipment features. And an M Sport package tailored to each model variant can also be specified.

## **Functionality and premium allure taken to a new level.**

New details lend further refinement to the premium impression of the new

BMW 5 Series' interior as well as another layer to its functionality. The Control Display of the standard-fitted iDrive operating system is now bordered in the Sedan and Touring by chrome trim. Added to which, the storage compartments and cup holders in the centre console of these models have increased in capacity.

A revised rear section increases the boot capacity of the new BMW 5 Series Gran Turismo by 60 litres to 500 litres. New exterior paint colours, light-alloy wheels, upholstery colours and interior trim elements for all the BMW 5 Series models enhance their appeal and increase the scope for individualisation.

**Engines: setting the benchmark for driving pleasure, introducing fresh new routes to efficiency.**

Faster, more economical, cleaner: all the variants of the BMW 5 Series come with a raft of optimised details. The result is reduced fuel consumption (in some cases significantly), yet with no drop-off in sporting ability. Indeed, some models actually offer improved performance. Plus, all the engine variants already meet the stipulations of the EU6 exhaust gas standard not due to come into force until September 2014. To this end, the diesel models come with nitrogen oxide-reducing BMW BluePerformance technology as standard.

In addition to Brake Energy Regeneration, the Auto Start-Stop function (also fitted in conjunction with the eight-speed automatic gearbox), Optimum Shift Indicator and ECO PRO mode, the suite of standard-fitted BMW EfficientDynamics technology now also includes a coasting mode (which disengages the powertrain), Proactive Driving Assistant to adjust the car's speed ahead of a change in speed limit, and the ECO PRO Route function, which can be selected via the optional Navigation system Professional. Meanwhile, extensive optimisation of the cars' aerodynamics – the drag coefficient (Cd factor) of the BMW 520d Sedan, for example, has been reduced to 0.25 – is one of the key factors in the latest advances made by the engineers in the area of efficiency.

The market launch of the new BMW 5 Series model family also heralds an expansion of its engine range. For instance, the BMW 518d has been added to the line-up as a new entry-level diesel variant. Its four-cylinder diesel with BMW TwinPower Turbo technology and 105 kW/143 hp can be ordered for both the new BMW 5 Series Sedan and the new BMW 5 Series Touring. Like the BMW 520d Sedan, the BMW 518d Sedan records impressive average fuel economy in the EU test cycle of 4.5 litres per 100 kilometres (62.8 mpg imp) and CO<sub>2</sub> emissions of 119 grams per kilometre. And the model range now also includes the BMW 520d xDrive in both Sedan and Touring guises. This increases the number of models equipped with the

intelligent all-wheel-drive system to seven (in the case of the BMW 5 Series Touring) and eight (for the BMW 5 Series Sedan). Four engine variants of the new BMW 5 Series Gran Turismo can likewise be combined with xDrive.

The top-of-the-line engine available for all members of the new BMW 5 Series model family is a new V8 unit with BMW TwinPower Turbo technology developing 330 kW/450 hp. The range of power plants available for the new BMW 5 Series Sedan and new BMW 5 Series Touring now comprises four petrol and six diesel units, and also encompasses two BMW M Performance Automobiles – the BMW M550d xDrive Sedan and BMW M550d xDrive Touring. Customers opting for the new BMW 5 Series Gran Turismo can choose from two petrol power plants and three diesels.

Further improvements have also been made to the intelligent energy management of the BMW ActiveHybrid 5. The full-hybrid Sedan now comes with a specially tweaked version of the Proactive Driving Assistant, whose talents include adapting the interplay between the combustion engine and electric motor to the route ahead.

The cars' chassis technology – which includes a double-wishbone front axle, integral rear axle and Electric Power Steering with standard Servotronic function – has been further honed to deliver an unrivalled balance between sporting performance and ride comfort. The BMW 5 Series Touring and BMW 5 Series Gran Turismo come as standard with air suspension, including automatic self-levelling at the rear axle. The Driving Experience Control switch on the centre console is standard on all models. Dynamic Damper Control, M Sport suspension and the Adaptive Drive and Integral Active Steering systems unmatched by any rivals can be specified as options.

## **More innovative than ever: optional equipment and BMW ConnectedDrive.**

The host of innovations included on the options list and in the range of BMW ConnectedDrive technology allow the new BMW 5 Series model family to underline its standout position in the areas of connectivity, infotainment, convenience and safety. For example, the function of the optional Comfort Access system, which allows the tailgate to be opened hands-free, has been extended to include a closing mechanism, which means that a movement of the foot under the rear apron can now be used to prompt the tailgate to close as well as open. In addition, the new BMW 5 Series offers customers a new rear-seat entertainment system with tablet-style displays, a Harman Kardon Surround Sound system and a new version of the ambient light option with a facility which allows the interior lighting to be alternated in tone between orange and white.

The range of BMW ConnectedDrive business solutions and driver assistance systems is more advanced and richer in variety than ever. The BMW 5 Series enables a scope of intelligent connectivity unique in the marketplace, allowing it to set the benchmark for in-car use of office applications.

Alongside the globally unrivalled Concierge Service for hotel reservations and a selection of other services, BMW ConnectedDrive also offers an unusually extensive suite of office functions, including internet-based services. The dictation function, for example, provides a convenient way of entering text for SMS messages and emails during a journey. The array of search, travel, office and social media services can be accessed via the car's integrated SIM card or the customer's smartphone. And Online Entertainment sees BMW bringing internet-based flat rate music services directly into the car.

The optional Navigation system Professional makes use of an optimised menu display and allows access to Real Time Traffic Information. A new controller with a touch-sensitive surface now allows the use of characters to program in a destination or access other functions of the iDrive operating system. BMW offers Intelligent Emergency Call as standard in a large number of markets.

The BMW 5 Series builds on its leading position in the field of driver assistance systems with the introduction of the glare-free High Beam Assistant and the BMW Night Vision system, which includes human and animal detection and the Dynamic Light Spot function. From November 2013, the optional Traffic Jam Assistant will also be on hand to make life easier for the driver, significantly increasing the scope for relaxation in monotonous motorway tailbacks. This system automatically keeps the car in the same lane,

even when the road bends around a corner. It is part of the Driving Assistant Plus option, which also includes Active Cruise Control with Stop & Go function and Collision Warning with braking function. The cruise control function, underpinned by radar sensors and a camera, reacts with even greater precision to the driving situation at hand and also to stationary objects. Another feature available for the Sedan and Touring from November 2013 is the fully automatic Parking Assistant.



## 2. The BMW 5 Series Sedan, BMW Touring and BMW 5 Series Gran Turismo: A global success story.

- **The BMW 5 Series: global market leader in the segment with constantly rising sales figures.**
- **Outstanding reputation thanks to award-winning design, exceptional efficiency and unique innovations.**
- **Most successful model generation since the introduction of the BMW 5 Series in 1972.**

Global bestseller, winner of a string of comparison tests and “Germany’s favourite car” – the BMW 5 Series represents a quite unique success story. Its sales figures, the verdicts of experts and the response of the public make a compelling narrative. And now the BMW 5 Series Sedan, BMW 5 Series Touring and BMW 5 Series Gran Turismo are preparing to build on their standout presence in the world’s car markets with the help of cutting-edge technological innovations and sensitively modified design features. The introduction of the new BMW 5 Series provides the latest highlight in the development of the company’s longest-serving model family; the BMW 5 Series has been a fixture in the BMW portfolio since 1972 – longer than any other current model. It didn’t take the 5 Series long to establish itself as a paragon of driving pleasure and aesthetic appeal in its segment. And today it can add efficiency and innovation to the list of disciplines in which it leads the way in the executive car market.

The BMW 5 Series Sedan currently rolling off the assembly line is the sixth-generation model. An impressively harmonious balance between sporting flair and elegance has been a defining feature of the four-door variant since it first made the leap from the drawing board to the road and went on to become the most popular executive car in one market after the next. Entering the fray in 1991 and now in its fourth generation, the BMW 5 Series Touring blends hallmark BMW dynamics and all-embracing comfort with a variable-usage cargo area designed to meet the requirements of a wide range of activities. And the BMW 5 Series Gran Turismo, unveiled in 2009, has seen BMW introduce drivers to an all-new type of car. Its extravagant design represents the expression of sports performance, luxurious long-distance comfort and versatility.

### **Global market leader: BMW 5 Series defends its leading position in the world's car markets.**

To date, over 6.6 million BMW 5 Series cars have left the factory. And the current BMW 5 Series is in excellent shape to surpass the record set by the highly successful last two generations, each of which sold in excess of 1.4 million units. A total of more than one million units of the current BMW 5 Series Sedan have been delivered to customers since the sales launch of the 5 Series in March 2010. No other generation has bettered these sales figures over such a short period of time.

The BMW 5 Series defended its leading position as the best-selling car in its class in supreme style once again last year, further extending its upward curve of constantly rising sales figures since its market launch.

### **Soaking up acclaim around the world: BMW 5 Series earns top ratings, wins design awards, heads readers' surveys.**

The quality and popularity of the BMW 5 Series are reflected in the host of prizes and distinctions awarded to the members of the model family around the world. In early 2013 the BMW 5 Series secured class victory – for the third year in succession – in the readers' survey "The Best Cars" conducted by the German motoring magazine "auto, motor und sport". This success came not long after the BMW 520d EfficientDynamics Edition with BMW BluePerformance technology had been voted "Car of the Future" and awarded the ADAC automobile association's "Yellow Angel". The BMW 5 Series as a whole had been named "Germany's favourite car" in the same competition in 2011.

In addition to the red dot award, iF Product Design Award and Design Award of the Federal Republic of Germany, the BMW 5 Series has also picked up a notable collection of international distinctions in recognition of its successful exterior design. Beyond these, the BMW 5 Series has been voted "Car of the Year", "Best Car", "Premium Car of the Year", "Family Car of the Year" and "Executive Car of the Year" in various countries.

This broad spread of qualities has been recognised with a swathe of impressive ratings elsewhere as well. German car journal "Auto Bild" crowned the BMW 525d Touring "Value Champion 2012" on account of its high value retention in the used car market. The title had been awarded to the BMW 520d Sedan the previous year. And the BMW 5 Series emerged from both the Euro NCAP and the US NCAP crash tests with the highest rating of five stars. It was also the first vehicle to achieve a 100 per cent score in the Safety Assist category of the Euro NCAP crash tests.





### **3. Design and body: Timeless elegance, cutting-edge functionality and made-to-measure luxury.**

- **Precise modifications emphasise the sporting allure of the Sedan and Touring.**
- **New rear-end treatment for the BMW 5 Series Gran Turismo: more elegance, more dynamism, more storage capacity.**
- **The personal touch: BMW Luxury Line and BMW Modern Line.**

Instantly captivating and enduringly compelling, the aesthetic qualities of the BMW 5 Series models have secured sales success around the globe and a wealth of awards and distinctions. “We haven’t completely redesigned the BMW 5 Series, we’ve just given its character a slightly sharper sporting edge,” says exterior designer Won Kyu Kang, describing the modifications made to the BMW 5 Series Sedan and BMW 5 Series Touring.

#### **The BMW 5 Series Sedan and BMW 5 Series Touring: sporting contours for the front end, xenon headlights as standard.**

Sporting elegance is the standout characteristic of the BMW 5 Series Sedan and BMW 5 Series Touring. Their design is defined by the hallmark BMW proportions created by a long bonnet, long wheelbase, short overhangs and set-back passenger compartment. At the front end, additional contour lines for the BMW kidney grille surround and the restructured lower air intake accentuate the car’s sporting appearance. All the variants of the new BMW 5 Series model family are fitted with xenon headlights as standard.

Joining the LED fog lamps on the options list are Adaptive LED Headlights. Here, both the dipped and main beams are generated by LED units positioned on horizontal ribs in the centre of the two light rings, which are levelled off at the bottom. Sweeping chrome inserts with engraved BMW lettering add the finishing touches to the distinctive and extremely high-class appearance of the Adaptive LED Headlights. The side indicators are now integrated into the exterior mirrors on all new BMW 5 Series models. And the Sedan and Touring have newly structured rear lights with particularly thin and strikingly contoured LED light strips. These lights and an additional crease in the rear apron emphasise the wide track of both models.

## **New BMW 5 Series Gran Turismo: powerful presence at the front, dynamic elegance at the rear.**

The BMW 5 Series Gran Turismo combines signature BMW proportions with an innovative body concept. The elegantly stretched coupé roofline, four doors with frameless windows and a high-opening tailgate exude sporting intent, luxurious long-distance comfort and extensive variability. Carefully targeted modifications to the car's design shine an even brighter spotlight on its unmistakable character, which meets the highest standards across an extremely wide spectrum.

A new air intake highlights the powerful presence of the BMW 5 Series Gran Turismo's front end. The tailgate, meanwhile, has been extended rearwards and gives the roofline's transition into the rear an even more harmonious appearance. All of which allows the car as a whole to cut a lower-slung and dynamically stretched figure. These sharpened contours have also had a positive effect on the boot capacity of the new BMW 5 Series Gran Turismo, which has been increased by 60 litres to 500 litres.

Horizontally structured and three-dimensional surfaces play a defining role in the new look of the rear end. Vibrant light and shade effects around the licence plate mount, a dynamically sweeping crease extending into the flanks and a chrome trim strip in the rear apron give the tail end a lighter and sportier feel. This impression is reinforced by the new outline of the two-section rear lights. Their horizontal layout is accentuated internally by a light design distilled into two LED light strips.

## **Interior: each model variant offers its own take on long-distance comfort, variability and a luxurious ambience.**

New details inside all the cars in the new BMW 5 Series provide a refined premium impression and increased functionality. In all models the Control Display of the standard iDrive operating system is now bordered on both sides by high-quality chrome trim strips. And the storage compartments and cup holders in the centre console of the Sedan and Touring now have increased capacity.

Generous levels of space, exquisite materials and high-quality workmanship all contribute to the premium ambience characteristic of the BMW 5 Series model family, as do exclusive interior design details like the standard iDrive and the black-panel technology of the instrument cluster and automatic climate control system's display.

The iDrive Controller can be ordered as an option with a touch-sensitive surface allowing character recognition. For example, a destination can be

programmed into the navigation system by spelling out the desired address using finger movements on the Controller's surface. The existing "Speller" in the Control Display can also be used to this end, and the driver can alternate freely between the two operating methods while entering a command.

Another option unique in this segment is the multifunction instrument display designed to enhance driving pleasure. This 10.25-inch TFT cockpit screen takes its cues from the Driving Experience Control mode selected. Varying graphics and colour schemes ensure clear differentiation. In COMFORT mode the instrument display depicts a classical combination of four circular instruments. A magnifying glass function highlights the car's current speed and revs. In ECO PRO mode the rev counter morphs into an EfficientDynamics display, which indicates how efficiently you are driving. In SPORT mode the speedometer shows the car's speed digitally in the form of a large central figure, while the gear currently engaged is displayed in the centre of the rev counter.

The new BMW 5 Series Sedan underlines its qualities as a mile-devouring car for business use or trips away with its high level of long-distance comfort for all passengers. What's more, its boot can hold 520 litres of cargo.

For those with further-reaching requirements when it comes to load capacity, the BMW 5 Series Touring will be the model of choice. An array of individual solutions lends the Touring a level of functionality and variability unmatched in its segment. Even when all the seats are in use it offers 560 litres of boot capacity, which can be expanded to as much as 1,670 litres as the occasion demands. The rear seat backrests split 40:20:40 as standard and can also be ordered with an adjustable tilt angle as an option. A pair of levers in the load compartment allows the folding-down process for the backrests to be initiated from the boot, and their approach into a horizontal position is now cushioned slightly to settle them into place. The load compartment cover is automatically lowered when the tailgate is closed. Plus, the tailgate of the BMW 5 Series Touring comes as standard with a Soft Close Automatic function and a rear window that can be opened separately from the tailgate itself, flipping up automatically at the touch of a button.

**BMW 5 Series Gran Turismo: the perfect combination of luxurious long-distance comfort and versatility.**

The BMW 5 Series Gran Turismo offers an unmatched blend of luxurious long-distance comfort and versatility, fusing the imposing elegance of a Sedan with the variable-usage interior of a Touring model and the versatility of a Sports Activity Vehicle. Its seating position – slightly raised to a height somewhere between that offered by a sedan and an SAV – allows particularly comfortable

entry and exit. Rear passengers can enjoy legroom and headroom normally the preserve of luxury cars. The rear seats slide forward by 73 millimetres and the angle of their backrests can be adjusted through 33 degrees. When released from its locked position, the partition behind the rear seats follows the longitudinal movements of the seats, allowing boot capacity to grow from 500 to 650 litres. The partition and rear seat backrests can be split 40:20:40. Folding down all the elements and moving the rear seats all the way forward allows the Gran Turismo to reveal its maximum 1,700 litres of load capacity. To load items into the boot, one can either open the full, high-opening tailgate or a separate boot lid below the rear window. Similarly to a sedan, this smaller opening allows access to the load area without disturbing rear seat passengers.

Automatic tailgate operation comes as standard on the BMW 5 Series Touring and BMW 5 Series Gran Turismo and is also available as an option for the BMW 5 Series Sedan. The function of the optional Comfort Access system that allows the tailgate to be opened hands-free has been extended – for all members of the new BMW 5 Series model family – to include a closing mechanism, which means that a movement of the foot under the rear apron can now be used to prompt the tailgate to close as well as open. After unloading items from the boot, customers can therefore also close the tailgate without having to put down the items they're holding.

**New to the BMW 5 Series: BMW Lines offer detailed personalisation.**

BMW 5 Series customers can choose from a wide selection of exterior paint colours. New additions to the range – and available for all models – are Calisto Grey metallic, Jatoba metallic, Mineral White metallic and Glacier Silver metallic. New variants have also been added to the line-up of optional light-alloy wheels.

Exclusively composed BMW Lines are now available for the first time to all members of the new BMW 5 Series model family as an alternative to standard specification. Customers can choose between the BMW Luxury Line and BMW Modern Line design packages, which shine the spotlight on selected facets of the car's character to great effect. Both Lines include LED fog lamps, 18-inch (BMW 5 Series Gran Turismo: 19-inch) light-alloy wheels, B-pillar trim and exterior mirror bases in high-gloss black, illuminated door pulls with chrome trim and likewise illuminated door sill strips with aluminium inserts bearing BMW lettering. Luxury / Modern badges can be found on the front side panels.

The BMW Luxury Line exudes a high level of elegance and exclusiveness thanks to a carefully assembled selection of further particularly high-class

features for the exterior and interior. The chrome finish of the trim bars in the outer sections of the lower air intake, the fronts of the black kidney grille slats, the window recess finishers, the trim strip in the rear apron and the exhaust tailpipe embellishers all add gleaming touches. Leather upholstery with exclusive stitching, a black sports leather steering wheel and interior trim strips in exquisite FINELINE anthracite wood create a particularly refined interior ambience.

The BMW Modern Line package displays a strikingly contemporary and dynamic edge. The air intake bars, kidney grille slats, rear trim strip and tailpipe embellishers come in matt chrome, and the instrument panel and sports leather steering wheel can be specified as an option in the light colour shade Oyster. Interior trim strips in dark Pearl and exclusive stitching for the optional leather upholstery ensure the interior creates an eye-catching impression.

All variants of the new BMW 5 Series can also be ordered with a model-specific M Sport package, further increasing the scope for individualisation.



## 4. Powertrain and chassis: The perfect balance of dynamics and comfort.

- **Powertrain diversity: up to four petrol engines and six diesels producing 105 kW/143 hp to 330 kW/450 hp; new xDrive models.**
- **State-of-the-art chassis technology and Driving Experience Control switch as standard; BMW 5 Series Gran Turismo boasts a particularly comfort-biased set-up.**
- **Unique in the segment: Integral Active Steering, Adaptive Drive.**

The appeal of Sheer Driving Pleasure in a premium executive class car is set to grow even further in both strength and reach with the launch of the new BMW 5 Series model family. The host of optimised details included in all variants of the new BMW 5 Series have led to (in some cases significantly) reduced fuel consumption, but with no drop-off in sporting ability. Indeed, some models now actually offer improved performance. Added to which, all engine variants now meet the stipulations of the EU6 exhaust gas standard.

A new entry-level diesel variant, additional models equipped with xDrive all-wheel drive and an even more powerful yet also more efficient range-topping V8 power plant join the action, completing an engine line-up that now covers an output spectrum from 105 kW/143 hp to 330 kW/450 hp. The new BMW 5 Series Sedan and new BMW 5 Series Touring can be specified with a choice of four petrol and six diesel engines. Beyond this, the Sedan also comes in BMW ActiveHybrid 5 full-hybrid and BMW M5 high-performance guise. The engine line-up for the new BMW 5 Series Gran Turismo comprises two petrol units and three diesels.

The cutting-edge chassis technology underpinning all the models in the BMW 5 Series family delivers a balance of dynamic performance and ride comfort without precedent in this market segment, while the Electric Power Steering system comes with Servotronic speed-sensitive power assistance as standard. The BMW 5 Series Touring and BMW 5 Series Gran Turismo are also fitted as standard with automatic self-levelling air suspension at the rear axle. Among the options available for all members of the BMW 5 Series family are the Integral Active Steering and Adaptive Drive systems, which no other model in this segment offers. Targeted enhancements of acoustic and suspension comfort in the BMW 5 Series Gran Turismo, meanwhile, lend even further emphasis to its role as the supreme long-distance specialist of

the line-up. The Sedan and Touring have likewise made notable advances in these areas.

### **An efficient start: new entry-level diesel engine for the Sedan and Touring.**

BMW TwinPower Turbo technology ensures an exemplary balance of driving pleasure and fuel consumption across the engine range. In the new entry-level diesel engine, which powers the BMW 518d Sedan and BMW 518d Touring, this package of technology consists of a turbocharger with variable inlet geometry and common rail direct injection with solenoid valve injectors. The 2.0-litre engine develops a maximum output of 105 kW/143 hp, generates peak torque of 360 Newton metres (266 lb-ft) and accelerates the new BMW 518d Sedan from 0 to 100 km/h (62 mph) in 9.6 seconds. The four-cylinder unit burns an average 4.5 – 4.9 litres of fuel per 100 kilometres (equivalent to 62.8 – 57.7 mpg imp) in the EU test cycle (CO<sub>2</sub> emissions: 119 – 129 grams per kilometre, depending on the gearbox and tyre format specified).

The selection of diesel power plants available for the Sedan and Touring includes two four-cylinder variants – fitted in the BMW 520d producing 135 kW/184 hp and the BMW 525d with 160 kW/218 hp – and three six-cylinder units. With average fuel consumption in the EU test cycle of 4.5 litres per 100 kilometres (62.8 mpg imp) and CO<sub>2</sub> emissions of 119 grams per kilometre, the new BMW 520d matches the figures of the 520d EfficientDynamics Edition it replaces.

Further up the range, the BMW 530d develops 190 kW/258 hp and the BMW 535d produces 230 kW/313 hp. And rounding off the line-up are two M Performance cars: the BMW M550d xDrive Sedan and BMW M550d xDrive Touring. They also use a 3.0-litre straight-six engine deploying M TwinPower Turbo technology with three turbochargers to deliver unrivalled peak output of 280 kW/381 hp and maximum torque of 740 Newton metres (546 lb-ft). Three diesel engines are available for the new BMW 5 Series Gran Turismo, powering the BMW 520d Gran Turismo, BMW 530d Gran Turismo and BMW 535d Gran Turismo.

### **Even more powerful, even more efficient: the V8 engine for the BMW 5 Series.**

The new generation of the V8 engine with BMW TwinPower Turbo technology for the BMW 5 Series model family takes to the stage armed with a 10 per cent rise in output yet also significantly reduced fuel consumption. The eight-cylinder unit, found under the bonnet of the BMW 550i Sedan, BMW 550i Touring and BMW 550i Gran Turismo, now also combines its two twin-scroll turbochargers and High Precision Direct Injection with VALVETRONIC fully

variable valve control. The power plant generates 330 kW/450 hp and maximum torque of 650 Newton metres (479 lb-ft) from its 4.4-litre displacement. The new BMW 550i Sedan, for example, sweeps from 0 to 100 km/h (62 mph) in just 4.6 seconds. Its average fuel economy in the EU test cycle stands at 8.6 – 8.8 litres per 100 kilometres (32.9 – 32.1 mpg imp). CO<sub>2</sub> emissions come in at 199 – 206 g/km, depending on the tyre format specified.

As well as the BMW 535i Sedan and BMW 535i Touring models, the multi-award-winning straight-six with 225 kW/306 hp also powers the BMW 535i Gran Turismo. A pair of four-cylinder petrol engines is likewise available for the Sedan and Touring. The engine powering the BMW 520i develops 135 kW/184 hp, while the unit offered for the BMW 528i from the launch of the new BMW 5 Series boasts revisions to various details and delivers 180 kW/245 hp.

The Sedan and Touring variants of the BMW 520i, BMW 528i, BMW 535i, BMW 518d, BMW 520d and BMW 525d are fitted with a six-speed manual gearbox as standard. Each of those models can also be specified as an option with the extremely fast and precise, not to mention extraordinarily efficient, eight-speed automatic transmission provided as standard for the BMW 550i, BMW 530d and 535d, as well as all variants of the BMW 5 Series Gran Turismo. The eight-speed automatic now comes with a coasting function and can also be ordered with shift paddles on the steering wheel. Shift paddles are also included with the eight-speed sports automatic transmission, a standard feature of the BMW M550d xDrive, which stands out with its ultra-impressive shift dynamics.

#### **Additional models with BMW xDrive intelligent all-wheel drive.**

The selection of engine variants that can be combined with the BMW xDrive intelligent all-wheel-drive system has also been expanded. The BMW 520d xDrive Sedan and BMW 520d xDrive Touring are both new additions to the range, the electronically controlled distribution of drive between the front and rear axle giving them a noticeable increase in traction and directional stability, not to mention an even sharper dynamic edge through quickly taken corners.

All-wheel drive is also available as an option for the Sedan and Touring versions of the BMW 528i, BMW 535i, BMW 525d, BMW 530d and BMW 535d, and the BMW 550i Sedan. The M Performance cars channel the power from their six-cylinder diesel engines through all four wheels as standard. All the models in the BMW 5 Series Gran Turismo line-up – with the exception of the BMW 520d – can be ordered with xDrive.



### **State-of-the-art chassis technology delivers dynamics and comfort to order.**

The fine-tuning carried out on the chassis for the new BMW 5 Series models makes for an even more assured conversion of engine power into dynamic performance and ride comfort. Both the double-wishbone front axle and the integral rear axle are made largely from aluminium. They allow the spring and damper systems to respond with great precision to inconsistencies in the road surface and ensure optimum road holding at all times. The overall result is a balance between sporting ability and ride comfort that no rival can better. What's more, the car's set-up can be adapted to suit individual needs or the driving situation at hand using the standard-fitted Driving Experience Control switch on the centre console. Pressing the button changes the driving mode, altering the responses of the accelerator and steering, as well as – if fitted – the shift characteristics of the automatic gearbox and the settings of the electronically controlled dampers.

The optional Dynamic Damper Control system adapts electronically to both the condition of the road and the driver's style. And the car's driving characteristics are further enhanced by the Adaptive Drive system, which includes active roll stabilisation. Electronically controlled anti-roll bars help to reduce the car's body roll through quickly taken corners and in sudden changes of direction, for example. M Sport lowered suspension is also available as an option.

In addition to controlling the amount of speed-dependent steering assistance generated and regulating the steering angle of the front wheels, Integral Active Steering also adjusts the steering angle of the rear wheels. This system imbues the car with impressive agility in dynamic driving situations, comfortable and assured reactions when changing lanes and through corners, and optimised manoeuvrability through tight bends and in city traffic.



## 5. **BMW ConnectedDrive in the new BMW 5 Series: Unique innovations for enhanced safety, convenience and infotainment.**

- **Intelligent connectivity secures leading role in mobile business applications and infotainment.**
- **BMW Parking Assistant with fully automatic mode.**
- **Driving Assistant Plus with Traffic Jam Assistant.**

The intelligent link-up of the driver, vehicle and outside world enters a globally unique dimension in the new BMW 5 Series model family. The range of onboard BMW ConnectedDrive technology expands on an already impressive network of driver assistance systems and mobility services designed to enhance safety, convenience and in-car infotainment. The new additions see the BMW 5 Series consolidating its leading role in the field of mobile business applications and internet-based infotainment.

The BMW ConnectedDrive range of products and services has also benefited from focused development work in the area of driver assistance systems. Among the latest innovations are systems that relieve the stress on the driver in situations such as traffic tailbacks or slow-moving traffic and provide even greater assistance with parking manoeuvres.

### **BMW ConnectedDrive: outstanding connectivity for business, touring and infotainment.**

A SIM card fitted in the car, the extensive integration of smartphones and an array of innovative BMW ConnectedDrive functions open up new avenues for mobile communication and the use of online services in the BMW 5 Series. These features take the convenience and variety offered by the in-car office applications, navigation capability and infotainment to an unrivalled level. A hands-free facility with USB connection comes as standard on all new BMW 5 Series models.

A suite of office functions turns the BMW 5 Series into a mobile workplace – underpinned by either the customer's mobile phone or the car's integrated SIM card. Emails, appointments, contacts, calendar entries and notes are displayed on the cockpit's central screen. A dictation function converts notes spoken by the driver into written text, which can then be stored and sent out by SMS or email.

BMW Apps guide the user through the large and ever increasing number of services, which can be accessed using the customer's phone or internet connection. A unique feature worldwide is the Concierge Service, which BMW ConnectedDrive customers can use, for example, to make hotel bookings, search for addresses and telephone numbers or look up opening times. Also available are the remote functions from BMW ConnectedDrive, in-car internet usage and the online entertainment option offering a selection of some 12 million music tracks. BMW Apps includes features such as a web radio function, access to your Aupeo! personalised music library and in-car use of Facebook and Twitter. This service is constantly expanding to include new apps, which can be uploaded into the car via the SIM card or a smartphone. The car's integrated SIM card also forms the basis for the Intelligent Emergency Call function offered as standard in numerous markets. If the optional Navigation system Professional is specified, customers can also make use of the Real Time Traffic Information option, which keeps the driver supplied with extremely precise traffic alerts and congestion reports in real time.

**Unsurpassed variety, new functions: BMW ConnectedDrive driver assistance systems.**

The range of BMW ConnectedDrive driver assistance systems is now also more forward thinking and richer in variety than ever. The introduction of the glare-free High Beam Assistant, plus BMW Night Vision with Dynamic Light Spot and person and animal recognition, enhances safety when driving at night. The new generation of the High Beam Assistant creates optimal visibility at all times without any input required from the driver. The system uses a camera fitted into the rear-view mirror to identify vehicles travelling up to 400 metres (approx. ¼ mile) in front. Oncoming traffic is picked up when it is still 1,000 metres (just under ¾ mile) away. With the High Beam Assistant activated, the headlights are partially masked as and when required in order to eliminate the danger of dazzling vehicles as they draw closer.

BMW Night Vision also boasts new functions. The system is supplied with data by a thermal imaging camera mounted to the front of the vehicle. It provides a real-time video image in the Control Display showing people, animals and anything else that radiates heat even if they are located outside the area illuminated by the headlights. In addition, a control unit analyses the stream of video data, looking for pedestrians, cyclists and animals that are potentially on a collision course with the vehicle. The driver is alerted to such a situation by a symbol in the instrument cluster and the optional Head-Up Display. The urgent warning function adds an audible signal. Dynamic Light Spot is a special headlight, which directs a beam of light onto the people or

animals detected by BMW Night Vision, providing the driver with an additional hazard alert.

**Driving Assistant and Traffic Jam Assistant: increased safety and comfort in congestion and city traffic.**

The new Driving Assistant option combines Lane Departure Warning and Collision Warning with a braking function. If the system detects an unintentional deviation from the vehicle's path, the steering wheel vibrates to warn the driver. The system can be used at speeds of at least 70 km/h (43 mph) and its camera also supplies the data required for the Collision Warning with braking function. This function can be activated at speeds of at least 15 km/h (9 mph) and uses visual and audible alerts to warn the driver of the danger of a collision with vehicles travelling ahead. The car's brakes are preloaded at the same time to shorten its potential stopping distance.

Driving Assistant Plus provides even more extensive assistance. This system brings together Active Cruise Control with Stop & Go function and the Driving Assistant to ensure, first and foremost, greater comfort and safety in slow-moving traffic and tailbacks. The driver can delegate proximity control duties to the system. The combination of a front-mounted camera and full-range radar sensors detects both vehicles travelling in front and stationary vehicles. If the driver does not react to the warning of a looming rear-end collision, Driving Assistant Plus automatically brakes the vehicle with anything up to maximum possible force, as required.

A Traffic Jam Assistant function is due to be added to Driving Assistant Plus in November 2013. At speeds of up to 40 km/h (25 mph) this function monitors both the distance to the vehicle in front and the car's position within its lane. The Traffic Jam Assistant uses steering assistance to keep the vehicle reliably in the centre of the lane.

**Fully automatic BMW Parking Assistant offers an even more comprehensive helping hand.**

Another innovation due to become available in November 2013 for the new BMW 5 Series Sedan and new BMW 5 Series Touring is the fully automatic BMW Parking Assistant. The new version of the system not only carries out the steering movements required for reverse parallel parking, but also operates the accelerator and brake pedal. All of which means the BMW 5 Series can glide into the selected parking space fully automatically.

New functions have also been added to the Active Protection option. In critical situations this package of safety features deploys an array of measures to help mitigate the consequences of a possible accident. To this end, the car's side

windows and sliding sunroof (if fitted) are closed, the front seatbelts are pulled tight and the front passenger seat backrest is raised into an upright position. Active Protection now also includes the Attentiveness assistant, which analyses driving behaviour and, if necessary, suggests the driver takes a break.

Intelligent Emergency Call with automatic position finding and accident severity recognition is part of the standard specification in a large number of markets and provides fast and appropriate assistance in the event of a collision. BMW took the lead in the marketplace with this system around 15 years ago, and the latest generation sends important information – such as the car's precise location, its chassis number, vehicle type and colour, and the data collected by sensors positioned around the car – to the BMW call centre in the event of a crash. This information confirms how many people are in the car and which airbags have been deployed, and indicates the intensity of the impact.

**Looking good: Head-Up Display, Speed Limit Info, Lane Change Warning, Surround View.**

The latest innovations in the BMW ConnectedDrive portfolio add further depth to the already exceptionally wide range of driver assistance systems on board the BMW 5 Series. Highlights include the full-colour BMW Head-Up Display, which now also projects telephone contacts and entertainment programme listings onto the windscreen, Speed Limit Info with No Passing Info, and Lane Change Warning.

The optional rear-view camera and Surround View help to provide a better overview of the area around the car and the road ahead. In addition to the rear-view camera and the Park Distance Control sensors, Surround View also makes use of two cameras in the exterior mirrors and shows a bird's-eye view of the car and the area around it on the Control Display. The system also includes the Side View function, which assists the driver when pulling out from narrow and concealed gateways or car park exits. Two cameras integrated into the front bumper enable the driver to monitor cross-traffic.



## 6. **BMW EfficientDynamics for the new BMW 5 Series: Increasing driving pleasure, reducing fuel consumption.**

- **Outstanding efficiency in all output classes.**
- **Petrol and diesel engines meet EU6 exhaust gas standard.**
- **New and unique in the segment: coasting mode, Proactive Driving Assistant, ECO Pro Route.**

The BMW 5 Series model family offers not only a case study in driving pleasure, but also a template for efficiency in the executive class. All the models in the line-up strike a balance between fuel consumption and performance none of its rivals can match. The new BMW 5 Series adds further weapons to the arsenal of technology deployed to reduce fuel consumption and emissions. Innovative powertrain management and energy management functions join optimised aerodynamic details in helping the BMW 5 Series to extend its lead in the efficiency race.

### **BMW TwinPower Turbo and BMW BluePerformance meet the challenges of the EU6 exhaust gas standard.**

All the engines available for the new BMW 5 Series come with BMW TwinPower Turbo technology. And all the members of the new 5 Series family already fulfil the stipulations of the EU6 exhaust gas standard due to come into force in September 2014. The diesel models meet the restrictions on nitrogen oxide emissions set out by the standard through extremely effective exhaust gas treatment. The BMW BluePerformance technology employed to this effect consists of either a nitrogen oxide storage catalytic converter or an SCR catalytic converter with urea injection, depending on the model.

### **Extensive BMW EfficientDynamics package includes innovative additions.**

Like the manual gearbox fitted in the BMW 5 Series, the eight-speed automatic option also stands out with its remarkable efficiency. Indeed, the majority of 5 Series models burn even less fuel with the eight-speed automatic specified than when the same engine teams up with the manual gearbox. All the models in the BMW 5 Series line-up come as standard with features including the Auto Start-Stop function, Brake Energy Regeneration, the need-based operation of ancillary components, active air vents, Electric Power Steering and tyres with reduced rolling resistance. Elsewhere, modifications to the wheel arches and underbody panelling and a redesigned front apron contribute to further optimisation of the cars' aerodynamic properties. The

result, among other things, is a reduction in the drag coefficient (Cd value) of the new BMW 520d to 0.25.

The standard-fitted Driving Experience Control switch can be used to activate ECO PRO mode, which tweaks the engine management, accelerator responses and shift characteristics of the automatic gearbox to help the driver keep revs low and burn as little fuel as possible. Plus, efficient power usage for electrically operated functions such as the climate control system and the seat and exterior mirror heating ensures efficient energy management. A coasting mode is now also available for the first time in conjunction with the optional automatic gearbox. In ECO PRO mode this function disengages the powertrain as soon as the driver takes his foot off the accelerator at speeds between 50 and 160 km/h (31 and 99 mph). This allows the car to glide along with no engine braking effect and burning only minimal amounts of fuel.

The optional Navigation system Professional also does its bit to assist efficient driving, presenting drivers with not only the quickest or shortest route to their destination, but also the ECO PRO Route – mapped out to keep fuel consumption particularly low. Another innovation making its debut in the new BMW 5 Series range is the Proactive Driving Assistant. With the navigation system's route guidance activated, this function advises the driver on the ideal moment to take his foot off the accelerator when approaching corners and speed-restricted areas in order to reduce fuel consumption. The BMW ActiveHybrid 5 comes with specially adapted versions of the coasting mode and Proactive Driving Assistant, helping customers to make maximum use of the car's pure electric driving potential.

## 7. Technical Specifications.

### BMW 520i Sedan, BMW 528i Sedan.



		BMW 520i	BMW 528i
<b>Body</b>			
No of doors/seats		4 / 5	4 / 5
Length/width/height <sup>1)</sup> (unladen)	mm	4907 / 1860 / 1464	4907 / 1860 / 1464
Wheelbase	mm	2968	2968
Track, front/rear	mm	1600 / 1627	1600 / 1627
Ground clearance	mm	141	141
Turning circle	m	12.0	12.0
Tank capacity	app ltr	70	70
Cooling system incl heater	ltr	9.1 (9.3)	9.1 (9.3)
Engine oil <sup>2)</sup>	ltr	5.75	5.75
Weight, unladen, to DIN/EU	kg	1595 / 1670 (1615 / 1690)	1610 / 1685 (1625 / 1700)
Max load to DIN	kg	610	610
Max permissible	kg	2205 (2225)	2220 (2235)
Max axle load, front/rear	kg	1070 / 1280	1070 / 1280
Max trailer load (12%), braked/unbraked	kg	1900 (2000) / 750	2000 / 750
Max roofload/max towbar dwl	kg	100 / 90	100 / 90
Luggage comp capacity	ltr	520	520
Air resistance	Cd x A	0.25 x 2.35	0.26 x 2.35
<b>Engine</b>			
Config/No of cyls/valves		Straight-four / 4	Straight-four / 4
Engine technology		BMW TwinPower Turbo with Twin-Scroll turbocharger, direct injection and fully variable valve control (VALVETRONIC)	BMW TwinPower Turbo with Twin-Scroll turbocharger, direct injection and fully variable valve control (VALVETRONIC)
Capacity, effective	cc	1997	1997
Stroke / bore	mm	90.1 / 84.0	90.1 / 84.0
Compression ratio	:1	10.0	10.0
Fuel grade		Min RON 91	Min RON 91
Max output	kW/hp	135 / 184	180 / 245
at	rpm	5000–6250	5000–6500
Max torque	Nm	270	350
at	rpm	1250-4500	1250-4800
<b>Electrical System</b>			
Battery/installation	Ah/-	90 / luggage comp	90 / luggage comp
Alternator	AW	170 / 2380	170 / 2380
<b>Driving Dynamics and Safety</b>			
Suspension, front		Double track control arm axle with separate lower track arm level, aluminium, small steering roll radius, anti-dive	
Suspension, rear		Integral-V multi-arm axle, aluminium, with steering function, anti-squat and anti-dive, double acoustic separation	
Brakes, front		Single-piston aluminium swing-calliper disc brakes in frame structure	
Diameter	mm	330 x 24 / inner-vented	348 x 30 / inner-vented
Brakes, rear		Single-piston swing-calliper disc brakes	
Diameter	mm	330 x 20 / inner-vented	330 x 20 / inner-vented
Driving stability systems		Standard: DSC incl ABS and DTC Dynamic Traction Control, CBC Cornering Brake Control, DBC Dynamic Brake Control, Dry Braking function, Fading Compensation, Start-Off Assistant; optional: Dynamic Damper Control	
Safety equipment		Standard: airbags for driver and front passenger, side airbags for driver and front passenger, head airbags for front and rear seats, three-point inertia-reel belts on all seats with belt stopper, belt tightener and belt force limiter at the front, crash-activated headrests at the front, crash sensors, Tyre Defect Indicator	
Steering		Electric Power Steering (EPS) with Servotronic; optional: Integral Active Steering	
Steering transmission, overall	:1	17.1	17.1
Tyres, front/rear		225/55 R17 97W	225/55 R17 97W
Rims, front/rear		8J x 17 light-alloy	8J x 17 light-alloy



		<b>BMW 520i</b>	<b>BMW 528i</b>
<b>Transmission</b>			
Type of gearbox	Six-speed manual (optional: eight-speed automatic with Steptronic)		
Gear ratios	I	:1	3.683 (4.714)
	II	:1	2.062 (3.143)
	III	:1	1.313 (2.106)
	IV	:1	1.000 (1.667)
	V	:1	0.809 (1.285)
	VI	:1	0.677 (1.000)
	VII	:1	– (0.839)
	VIII	:1	– (0.667)
	R	:1	3.348 (3.295)
Final drive		:1	3.909 (3.231)
<b>Performance</b>			
Power-to-weight ratio	kg/kW	11.8 (12.0)	8.9 (9.0)
Output per litre	kW	67.6	90.1
Acceleration	0–100 km/h	sec	7.9 (7.9)
	0–1000 m	sec	29.1 (29.2)
in 4th gear	80–120 km/h	sec	7.5 / 10.5 (–)
Top speed	km/h	235 (233)	250 (250)
<b>BMW EfficientDynamics</b>			
BMW EfficientDynamics, standard features	Brake Energy Regeneration with recuperation display, Auto Start Stop function, gearshift point indicator (on manual gearbox models), ECO PRO mode with coasting function (on automatic models), intelligent lightweight construction, on-demand operation of ancillary units, air flap control, Electric Power Steering (EPS), map-controlled oil pump, detachable a/c compressor, tyres with reduced roll resistance		
<b>Fuel Consumption EU<sup>3)</sup></b>			
With standard wheels and tyres: 8J x 17 wheels, 225/55 R17 tyres (2K1)			
Urban	litr/100 km	8.4 (8.1)	8.8 (8.0)
Extra-urban	litr/100 km	5.2 (4.7)	5.3 (5.0)
Combined	litr/100 km	6.4 (6.0)	6.6 (6.1)
CO <sub>2</sub>	g/km	149 (139)	154 (142)
With 8J x 18 wheels and 245/45 R18 tyres and with winter tyres (2HM, 2K2, 931)			
Urban	litr/100 km	8.7 (8.4)	9.1 (8.3)
Extra-urban	litr/100 km	5.4 (4.9)	5.5 (5.1)
Combined	litr/100 km	6.6 (6.2)	6.8 (6.3)
CO <sub>2</sub>	g/km	154 (144)	163 (147)
With 8J x 18 wheels at front, 9J x 18 at rear and 245/45 R18 tyres at front, 275/40 R18 at rear (2AH, 2DC, 2NC)			
With 8.5J x 19 wheels at front, 9J x 19 at rear and 245/40 R19 tyres at front, 275/35 R19 at rear (2K3, 2WC, 2MZ, 2ND)			
With 8.5J x 20 wheels at front, 9J x 20 at rear and 245/35 R20 tyres at front, 275/30 R20 at rear (2H9)			
Urban	litr/100 km	9.0 (8.6)	9.4 (8.6)
Extra-urban	litr/100 km	5.5 (5.1)	5.6 (5.3)
Combined	litr/100 km	6.8 (6.4)	7.0 (6.5)
CO <sub>2</sub>	g/km	159 (149)	164 (152)
Emission rating		EU6	EU6
<b>Insurance Category (Germany)</b>			
KH / VK / TK		<sup>4)</sup>	<sup>4)</sup>

Specifications applicable to ACEA markets. data relevant to homologation applicable in part only to Germany (weight)  
Figures in brackets apply to automatic transmission models

<sup>1)</sup> Height with roof aerial: 1475 mm

<sup>2)</sup> Oil change

<sup>3)</sup> Fuel consumption and CO<sub>2</sub> emissions depend on the selected tyre format

<sup>4)</sup> Data not yet available

# BMW 535i Sedan, BMW 550i Sedan.

		<b>BMW 535i</b>	<b>BMW 550i</b>
<b>Body</b>			
No of doors/seats		4 / 5	4 / 5
Length/width/height (unladen)	mm	4907 / 1860 / 1464	4907 / 1860 / 1464
Wheelbase	mm	2968	2968
Track, front/rear	mm	1600 / 1627	1600 / 1627
Ground clearance	mm	141	141
Turning circle	m	12.0	12.0
Tank capacity	app ltr	70	70
Cooling system incl heater	ltr	10.1 (10.2)	11.6
Engine oil <sup>1)</sup>	ltr	6.5	9.0
Weight, unladen, to DIN/EU	kg	1675 / 1750 (1690 / 1765)	1830 / 1905
Max load to DIN	kg	610	600
Max permissible	kg	2285 (2300)	2430
Max axle load, front/rear	kg	1100 / 1285	1195 / 1315
Max trailer load (12%), braked/unbraked	kg	2000 / 750	2000 / 750
Max roofload/max towbar dwl	kg	100/90	100/90
Luggage comp capacity	ltr	520	520
Air resistance	Cd x A	0.26 x 2.35	0.27 x 2.35
<b>Engine</b>			
Config/No of cyls/valves		Straight-six / 4	V90 / 8 / 4
Engine technology		BMW TwinPower Turbo, with Twin-Scroll turbocharger, direct fuel injection (High Precision Injection) and fully-variable valve control (VALVETRONIC)	BMW TwinPower Turbo with two turbochargers, direct fuel injection (High Precision Injection) and fully-variable valve control (VALVETRONIC)
Capacity, effective	cc	2979	4395
Stroke / bore	mm	89.6 / 84.0	88,3 / 89,0
Compression ratio	:1	10.2	10.0
Fuel grade		Min RON 91	Min RON 91
Max output	kW/hp	225 / 306	330 / 450
at	rpm	5800	5500 – 6000
Max torque	Nm	400	650
at	rpm	5800 – 6000	2000 – 4500
<b>Electrical System</b>			
Battery/installation	Ah/–	90 / luggage comp	90 / luggage comp
Alternator	AW	170 / 2380	220 / 3080
<b>Driving Dynamics and Safety</b>			
Suspension, front		Double track control arm axle with separate lower track arm level, aluminium, small steering roll radius, anti-dive	
Suspension, rear		Integral-V multi-arm axle, aluminium, with steering function, anti-squat and anti-dive, double acoustic separation	
Brakes, front		Single-piston aluminium swing-calliper disc brakes in frame structure	
Diameter	mm	348 x 36 / inner-vented	374 x 36 / inner-vented
Brakes, rear		Single-piston swing-calliper disc brakes	
Diameter	mm	345 x 24 / inner-vented	345 x 24 / inner-vented
Driving stability systems		Standard: DSC incl ABS and DTC Dynamic Traction Control, CBC Cornering Brake Control, DBC Dynamic Brake Control, Dry Braking function, Fading Compensation, Start-Off Assistant; optional: Adaptive Drive	
Safety equipment		Standard: airbags for driver and front passenger, side airbags for driver and front passenger, head airbags for front and rear seats, three-point inertia-reel belts on all seats with belt stopper, belt tightener and belt force limiter at the front, crash-activated headrests at the front, crash sensors, Tyre Defect Indicator	
Steering		Electric Power Steering (EPS) with Servotronic; optional: Integral Active Steering	
Steering transmission, overall	:1	17.1	17.1
Tyres, front/rear		225/55 R17 97W	245/45 R18 96Y RSC
Rims, front/rear		8J x 17 light-alloy	8J x 18 light-alloy

		<b>BMW 535i</b>		<b>BMW 550i</b>
<b>Transmission</b>				
Type of gearbox		Six-speed manual (optional: eight-speed automatic with Steptronic)		Eight-speed automatic with Steptronic
Gear ratios	I	:1	4.110 (4.714)	4.714
	II	:1	2.315 (3.143)	3.143
	III	:1	1.542 (2.106)	2.106
	IV	:1	1.179 (1.667)	1.667
	V	:1	1.000 (1.285)	1.285
	VI	:1	0.846 (1.000)	1.000
	VII	:1	– (0.839)	0.839
	VIII	:1	– (0.667)	0.667
	R	:1	3.727 (3.295)	3.317
Final drive		:1	3,231 (3,077)	2.813
<b>Performance</b>				
Power-to-weight ratio		kg/kW	7.4 (7.5)	5.5
Output per litre		kW/hp	75.5	75.1
Acceleration	0–100 km/h	sec	5.8 (5.7)	4.6
	0–1000 m	sec	25.1 (25.5)	23.5
In 4th gear	80–120 km/h	sec	5.9 / 6.9 (–)	–
Top speed		km/h	250	250
<b>BMW EfficientDynamics</b>				
BMW EfficientDynamics, standard features	Brake Energy Regeneration with recuperation display, Auto Start Stop function, gearshift point indicator (on manual gearbox models), ECO PRO mode with coasting function (on automatic models), intelligent lightweight construction, on-demand operation of ancillary units, air flap control, Electric Power Steering (EPS), detachable a/c compressor, tyres with reduced roll resistance			
<b>Fuel Consumption EU<sup>3)</sup></b>				
With standard wheels and tyres: 8J x 17 wheels, 225/55 R17 tyres (BMW 535i), 8J x 18 wheels, 245/45 R18 tyres (BMW 550i)				
Urban		litr/100 km	11.0 (10.0)	11.8
Extra-urban		litr/100 km	6.2 (5.6)	6.6
Combined		litr/100 km	8.0 (7.2)	8.6
CO <sub>2</sub>		g/km	186 (169)	199
With 8J x 18 wheels and 245/45 R18 tyres and with winter tyres (2HM, 2K2, 931)				
Urban		litr/100 km	11.3 (10.3)	–
Extra-urban		litr/100 km	6.3 (5.8)	–
Combined		litr/100 km	8.2 (7.5)	–
CO <sub>2</sub>		g/km	191 (174)	–
With 8J x 18 wheels at front, 9J x 18 at rear and 245/45 R18 tyres at front, 275/40 R18 at rear (2AH, 2DC, 2NC)				
With 8.5J x 19 wheels at front, 9J x 19 at rear and 245/40 R19 tyres at front, 275/35 R19 at rear (2K3, 2WC, 2MZ, 2ND)				
With 8.5J x 20 wheels at front, 9J x 20 at rear and 245/35 R20 tyres at front, 275/30 R20 at rear (2H9)				
Urban		litr/100 km	11.6 (10.6)	12.3
Extra-urban		litr/100 km	6.5 (6.0)	6.9
Combined		litr/100 km	8.4 (7.7)	8.8
CO <sub>2</sub>		g/km	196 (179)	206
Emission rating			EU6	EU6
<b>Insurance Category (Germany)</b>				
KH / VK / TK			<sup>4)</sup>	<sup>4)</sup>

Specifications applicable to ACEA markets, data relevant to homologation applicable in part only to Germany (weight)  
Figures in brackets apply to automatic transmission models  
All technical data are provisional

<sup>1)</sup> Height with roof aerial: 1475 mm

<sup>2)</sup> Oil change

<sup>3)</sup> Fuel consumption and CO<sub>2</sub> emissions depend on the selected tyre format

<sup>4)</sup> Data not yet available

# BMW ActiveHybrid 5.

<b>BMW ActiveHybrid 5</b>		
<b>Body</b>		
No. of doors/seats		4 / 5
Length/width/height <sup>1)</sup> (unladen)	mm	4907 / 1860 / 1464
Wheelbase	mm	2968
Track, front/rear	mm	1600 / 1627
Ground clearance	mm	141
Turning circle	m	12.0
Tank capacity	app ltr	67
Cooling system incl. heating	ltr	10.3
Engine oil <sup>2)</sup>	ltr	6.5
Weight, unladen, to DIN/EU	kg	1850 / 1925
Max load to DIN	kg	550
Max permissible weight	kg	2400
Max axle load, front/rear	kg	1140 / 1350
Max trailer load, braked (12%/unbraked)	kg	- / -
Max roof load/towbar download	kg	100 / -
Luggage comp capacity	ltr	375
Air resistance	c <sub>d</sub> x A	0.27 x 2.35
<b>Engine</b>		
Configuration/No. of cyls./valves		R / 6 / 4
Engine technology		BMW TwinPower Turbo technology with twin-scroll turbocharging, High Precision Direct Petrol Injection and fully variable valve control (VALVETRONIC)
Effective capacity	cm <sup>3</sup>	2979
Stroke / bore	mm	89.6 / 84.0
Compression ratio	:1	10.2
Fuel grade		Min RON 91
Output	kW/hp	225 / 306
at	min <sup>-1</sup>	5800 – 6000
Torque	Nm	400
at	min <sup>-1</sup>	1200-5000
Output electric motor	kW/hp	40 / 55
Torque electric motor	Nm	210
System output	kW/hp	250 / 340
System torque	Nm	450
<b>Electrical System</b>		
Battery/Installation	Ah/-	90 +50 / luggage comp.
High-voltage battery	Wh	1350
Alternator	AW	200 + 170 / 2800 + 2400
<b>Driving Dynamics and Safety</b>		
Suspension, front		Double track control arm with separate lower track arm level, aluminium, small steering roll radius, anti-dive
Suspension, rear		Integral-V multi-arm axle, aluminium, with anti-squat and anti-dive, double acoustic separation
Brakes, front		Frame-type aluminium single-piston floating-calliper disc brakes
Diameter	mm	348 x 36 / inner-vented
Brakes, rear		Aluminium single-piston floating-calliper disc brakes
Diameter	mm	345 x 24 / inner-vented
Driving stability systems		Standard: DSC incl. ABS and DTC (Dynamic Traction Control), CBC (Cornering Brake Control), DBC (Dynamic Brake Control), Dry Braking function, Fading Compensation, Start-Off Assistant, optional: Dynamic Damper Control
Safety equipment		Standard: airbags for driver and front passenger, side airbags for driver and front passenger, head airbags for front and rear seats, three-point inertia-reel seatbelts on all seats with belt stopper, belt latch tensioner and belt force limiter integrated in the front seats, crash-activated head restraints at the front, crash sensors, Tyre Defect Indicator
Steering		Electric Power Steering (EPS) with Servotronic
Steering ratio, overall	:1	17.1
Tyres, front/rear		225/55 R17 97W
Rims, front/rear		8J x 17 light-alloy

**BMW ActiveHybrid 5**

**Transmission**

Type of gearbox	Eight-speed automatic with Steptronic		
Gear ratios	I	:1	4.714
	II	:1	3.143
	III	:1	2.106
	IV	:1	1.667
	V	:1	1.285
	VI	:1	1.000
	VII	:1	0.839
	VIII	:1	0.667
	R	:1	3.317
Final drive		:1	2.929

**Performance**

(System) Power/weight ratio	kg/kW	8.2 (7.4)
Output per litre	kW	75.5
Acceleration	0–100 km/h	s
	0–1000 m	s
in 4th gear	80–120km/h	s
Top speed	km/h	250

**BMW EfficientDynamics**

BMW EfficientDynamics, standard features	BMW ActiveHybrid, Brake Energy Regeneration with energy flow and efficiency display, hybrid-specific Auto Start Stop function, Electric Power Steering (EPS), ECO PRO mode with coasting function, intelligent lightweight construction, air flap control, on-demand operation of ancillary units, climate compressor integrated in the high-voltage network, map-controlled oil pump, tyres with reduced roll resistance
--	---

**Fuel Consumption EU<sup>3)</sup>**

with standard tyres: rims 8J x 17, tyres 225/55 R17 (2K1)		
Urban	ltr/100km	6.1
Extra-urban	ltr/100km	6.6
Combined	ltr/100km	6.4
CO <sub>2</sub>	g/km	149
with rims 8J x 18 and tyres 245/45 R18 or winter tyres (2AU, 2HM, 2K2, 931)		
Urban	ltr/100km	6.5
Extra-urban	ltr/100km	7.0
Combined	ltr/100km	6.8
CO <sub>2</sub>	g/km	159
with rims 8J x 18 front, 9J x 18 rear and tyres 245/45 R18 front, 275/40 R18 rear (2AH, 2DC, 2NC)		
with rims 8.5J x 19 front, 9J x 19 rear and tyres 245/40 R19 front, 275/35 R19 rear (2K3, 2WC, 2MZ, 2ND)		
with rims 8.5J x 20 front, 9J x 20 rear and tyres 245/35 R20 front, 275/30 R20 rear (2H9)		
Urban	ltr/100km	6.7
Extra-urban	ltr/100km	7.2
Combined	ltr/100km	7.0
CO <sub>2</sub>	g/km	163
Emission rating		EU6

**Insurance Category (Germany)**

KH / VK / TK	<sup>4)</sup>
--------------	---------------

Specifications apply to ACEA markets; data relevant to homologation applicable in part only to Germany (weight)  
All technical data are provisional

<sup>1)</sup> Height with roof aerial: 1475 mm

<sup>2)</sup> Oil change

<sup>3)</sup> Fuel consumption and CO<sub>2</sub> emissions depend on the selected tyre format

<sup>4)</sup> Data not yet available

# BMW 518d Sedan, BMW 520d Sedan, BMW 525d Sedan.

		<b>BMW 518d</b>	<b>BMW 520d</b>	<b>BMW 525d</b>
<b>Body</b>				
No of doors/seats		4 / 5	4 / 5	4 / 5
Length/width/height <sup>1)</sup> (unladen)	mm	4907 / 1860 / 1464	4907 / 1860 / 1464	4907 / 1860 / 1464
Wheelbase	mm	2968	2968	2968
Track, front/rear	mm	1600 / 1627	1600 / 1627	1600 / 1627
Ground clearance	mm	141	141	141
Turning circle	m	12.0	11.95	11.95
Tank capacity	app ltr	70	70	70
Cooling system incl heater	ltr	7.0	7.0	8.0
Engine oil <sup>2)</sup>	ltr	5.2	5.2	5.2
Weight, unladen, to DIN/EU	kg	1615 / 1690 (1625 / 1700)	1620 / 1695 (1630 / 1705)	1650 / 1725 (1655 / 1730)
Max load to DIN	kg	610	610	610
Max permissible	kg	2225 (2235)	2230 (2240)	2260 (2265)
Max axle load, front/rear	kg	1060 / 1275	1060 / 1275	1100 / 1290
Max trailer load (12%), braked/unbraked	kg	1800 (2000) / 750	1800 (2000) / 750	2000 / 750
Max roofload/max towbar dwl	kg	100 / 90	100 / 90	100 / 90
Luggage comp capacity	ltr	520	520	520
Air resistance	Cd x A	0.26 x 2.35	0.25 x 2.35	0.26 x 2.35
<b>Engine</b>				
Config/No of cyls/valves		R / 4 / 4	Straight-four / 4	Straight-four / 4
Engine technology		BMW TwinPower Turbo technology with variable-geometry turbocharger, Common Rail direct injection with solenoid valve injectors (max. injection pressure: 1800 bar)	BMW TwinPower Turbo technology with variable-geometry turbocharger, Common Rail direct injection with solenoid valve injectors (max. injection pressure: 1800 bar)	BMW TwinPower Turbo technology with multi-stage variable-geometry high-pressure turbocharger, Common Rail direct injection with piezo injectors (max. injection pressure: 2000 bar)
Capacity, effective	cc	1995	1995	1955
Stroke / bore	mm	90.0 / 84.0	90.0 / 84.0	90.0 / 84.0
Compression ratio	:1	16.5	16.5	16.5
Fuel grade		Diesel	Diesel	Diesel
Max output	kW/hp	105 / 143	135 / 184	160 / 218
at	rpm	4000	4000	4400
Max torque	Nm	360	380	450
at	rpm	1750	1750-2750	1500
<b>Electrical System</b>				
Battery/installation	Ah/-	90 / luggage comp	90 / luggage comp	90 / luggage comp
Alternator	AW	180 / 2520	180 / 2520	180 / 2520
<b>Driving Dynamics and Safety</b>				
Suspension, front		Double track control arm axle with separate lower track arm level, aluminium, small steering roll radius, anti-dive		
Suspension, rear		Integral-V multi-arm axle, aluminium, with steering function, anti-squat and anti-dive, double acoustic separation		
Brakes, front		Single-piston aluminium swing-calliper disc brakes in frame structure		
Diameter	mm	330 x 24 / inner-vented	330 x 24 / inner-vented	348 x 30 / inner-vented
Brakes, rear		Single-piston swing-calliper disc brakes		
Diameter	mm	330 x 20 / inner-vented		330 x 20 / inner-vented
Driving stability systems		Standard: DSC incl ABS and DTC Dynamic Traction Control, CBC Cornering Brake Control, DBC Dynamic Brake Control, Dry Braking function, Fading Compensation, Start-Off Assistant; optional: Dynamic Damper Control		
Safety equipment		Standard: airbags for driver and front passenger, side airbags for driver and front passenger, head airbags for front and rear seats, three-point inertia-reel belts on all seats with belt stopper, belt tightener and belt force limiter at the front, crash-activated headrests at the front, crash sensors, Tyre Defect Indicator		
Steering		Electric Power Steering (EPS) with Servotronic; optional: Integral Active Steering		
Steering transmission, overall	:1	17.1	17.1	17.1
Tyres, front/rear		225/55 R17 97W	225/55 R17 97W	225/55 R17 97W
Rims, front/rear		8J x 17 light-alloy	8J x 17 light-alloy	8J x 17 light-alloy

		BMW 518d	BMW 520d	BMW 525d
<b>Transmission</b>				
Type of gearbox	Six-speed manual (optional: eight-speed automatic with Steptronic)			
Gear ratios	I :1	4.110 (4.714)	4.110 (4.714)	4.110 (4.714)
	II :	2.248 (3.143)	2.248 (3.143)	2.248 (3.143)
	III :1	1.403 (2.106)	1.403 (2.106)	1.403 (2.106)
	IV :1	1.000 (1.667)	1.000 (1.667)	1.000 (1.667)
	V :1	0.802 (1.285)	0.802 (1.285)	0.802 (1.285)
	VI :1	0.659 (1.000)	0.659 (1.000)	0.659 (1.000)
	VII :1	– (0.839)	– (0.839)	– (0.839)
	VIII :1	– (0.667)	– (0.667)	– (0.667)
	R :1	3.727 (3.295)	3.727 (3.295)	3.727 (3.295)
Final drive	:1	3.231 (2.929)	3.077 (2.929)	3.462 (2.929)
<b>Performance</b>				
Power-to-weight ratio	kg/kW	15.4 (15.5)	12.0 (12.1)	10.3 (10.3)
Output per litre	kW	52.6	67.7	80.2
Acceleration	0–100 km/h	sec	9.7 (9.6)	8.1 (7.9)
	0–1000 m	sec	31.1 (31.0)	28.8 (28.8)
in 4th gear	80–120 km/h	sec	7.9 / 9.9 (–)	7.5 / 9.8 (–)
Top speed	km/h		214 (212)	234 (231)
			248 (243)	
<b>BMW EfficientDynamics</b>				
BMW EfficientDynamics, standard features	Brake Energy Regeneration with recuperation display, Auto Start Stop function, gearshift point indicator (on manual gearbox models), ECO PRO mode with coasting function (on automatic models), intelligent lightweight construction, on-demand operation of ancillary units, air flap control, Electric Power Steering (EPS), detachable a/c compressor, tyres with reduced roll resistance, BMW BluePerformance technology			
<b>Fuel Consumption EU<sup>3)</sup></b>				
With standard wheels and tyres: 8J x 17 wheels, 225/55 R17 tyres (2K1)				
Urban	ltr/100 km	5.4 (5.3)	5.4 (5.2)	5.9 (5.6)
Extra-urban	ltr/100 km	4.0 (4.1)	4.0 (4.1)	4.3 (4.1)
Combined	ltr/100 km	4.5 (4.5)	4.5 (4.5)	4.9 (4.7)
CO <sub>2</sub>	g/km	119 (119)	119 (119)	129 (123)
With 8J x 18 wheels and 245/45 R18 tyres and with winter tyres (2HM, 2K2, 931)				
Urban	ltr/100 km	5.6 (5.5)	5.6 (5.5)	6.1 (5.8)
Extra-urban	ltr/100 km	4.2 (4.3)	4.2 (4.3)	4.5 (4.3)
Combined	ltr/100 km	4.7 (4.7)	4.7 (4.7)	5.1 (4.9)
CO <sub>2</sub>	g/km	124 (124)	124 (124)	134 (128)
With 8J x 18 wheels at front, 9J x 18 at rear and 245/45 R18 tyres at front, 275/40 R18 at rear (2AH, 2DC, 2NC)				
With 8.5J x 19 wheels at front, 9J x 19 at rear and 245/40 R19 tyres at front, 275/35 R19 at rear (2K3, 2WC, 2MZ, 2ND)				
With 8.5J x 20 wheels at front, 9J x 20 at rear and 245/35 R20 tyres at front, 275/30 R20 at rear (2H9)				
Urban	ltr/100 km	5.8 (5.7)	5.8 (5.7)	6.3 (6.0)
Extra-urban	ltr/100 km	4.4 (4.4)	4.4 (4.5)	4.7 (4.5)
Combined	ltr/100 km	4.9 (4.9)	4.9 (4.9)	5.3 (5.0)
CO <sub>2</sub>	g/km	129 (129)	129 (129)	139 (133)
Emission rating		EU6	EU6	EU6
<b>Insurance Category (Germany)</b>				
KH / VK / TK		4)	4)	4)

Specifications applicable to ACEA markets, data relevant to homologation applicable in part only to Germany (weight)  
Figures in brackets apply to automatic transmission models  
All technical data are provisional

<sup>1)</sup> Height with roof aerial: 1475 mm

<sup>2)</sup> Oil change

<sup>3)</sup> Fuel consumption and CO<sub>2</sub> emissions depend on the selected tyre format

<sup>4)</sup> Data not yet available

# BMW 530d Sedan, BMW 535d Sedan.

		<b>BMW 530d</b>	<b>BMW 535d</b>
<b>Body</b>			
No of doors/seats		4 / 5	4 / 5
Length/width/height <sup>1)</sup> (unladen)	mm	4907 / 1860 / 1464	4907 / 1860 / 1464
Wheelbase	mm	2968	2968
Track, front/rear	mm	1600 / 1627	1600 / 1627
Ground clearance	mm	141	141
Turning circle	m	12.0	12.0
Tank capacity	app ltr	70	70
Cooling system incl heater	ltr	8.0	8.0
Engine oil <sup>2)</sup>	ltr	7.2	6.2
Weight, unladen, to DIN/EU	kg	1710 / 1785	1735 / 1810
Max load to DIN	kg	610	610
Max permissible	kg	2320	2345
Max axle load, front/rear	kg	1100 / 1290	1100 / 1310
Max trailer load (12%), braked/unbraked	kg	2000 / 750	2000 / 750
Max roofload/max towbar dwl	kg	100 / 90	100 / 90
Luggage comp capacity	ltr	520	520
Air resistance	Cd x A	0.26 x 2.35	0.26 x 2.35
<b>Engine</b>			
Config/No of cyls/valves		Straight-six / 4	Straight-six / 4
Engine technology		BMW TwinPower Turbo technology with variable-geometry turbocharger, Common Rail direct injection with solenoid valve injectors (max. injection pressure: 1800 bar)	BMW TwinPower Turbo technology with multi-stage variable-geometry high-pressure turbocharger, Common Rail direct injection with piezo injectors (max. injection pressure: 2000 bar)
Capacity, effective	cc	2993	2993
Stroke / bore	mm	90.0 / 84.0	90.0 / 84.0
Compression ratio	:1	16.5	16.5
Fuel grade		Diesel	Diesel
Max output	kW/hp	190 / 258	230 / 313
at	rpm	4000	4400
Max torque	Nm	560	630
at	rpm	1500-3000	1500-2500
<b>Electrical System</b>			
Battery/installation	Ah/-	90 / luggage comp	90 / luggage comp
Alternator	AW	180 / 2520	220 / 3080
<b>Driving Dynamics and Safety</b>			
Suspension, front		Double track control arm axle with separate lower track arm level, aluminium, small steering roll radius, anti-dive	
Suspension, rear		Integral-V multi-arm axle, aluminium, with steering function, anti-squat and anti-dive, double acoustic separation	
Brakes, front		Single-piston aluminium swing-calliper disc brakes in frame structure	
Diameter	mm	348 x 30 / inner-vented	348 x 36 / inner-vented
Brakes, rear		Single-piston swing-calliper disc brakes	
Diameter	mm	330 x 20 / inner-vented	345 x 24 / inner-vented
Driving stability systems		Standard: DSC incl ABS and DTC Dynamic Traction Control, CBC Cornering Brake Control, DBC Dynamic Brake Control, Dry Braking function, Fading Compensation, Start-Off Assistant; optional: Adaptive Drive	
Safety equipment		Standard: airbags for driver and front passenger, side airbags for driver and front passenger, head airbags for front and rear seats, three-point inertia-reel belts on all seats with belt stopper, belt tightener and belt force limiter at the front, crash-activated headrests at the front, crash sensors, Tyre Defect Indicator	
Steering		Electric Power Steering (EPS) with Servotronic; optional: Integral Active Steering	
Steering transmission, overall	:1	17.1	17.1
Tyres, front/rear		225/55 R17 97W	225/55 R17 97W
Rims, front/rear		8J x 17 light-alloy	8J x 17 light-alloy



			<b>BMW 530d</b>	<b>BMW 535d</b>
<b>Transmission</b>				
Type of gearbox	Eight-speed automatic with Steptronic			
Gear ratios	I	:1	4.714	4.714
	II	:1	3.143	3.143
	III	:1	2.106	2.106
	IV	:1	1.667	1.667
	V	:1	1.285	1.285
	VI	:1	1.000	1.000
	VII	:1	0.839	0.839
	VIII	:1	0.667	0.667
	R	:1	3.317	3.317
Final drive		:1	2.471	2.647
<b>Performance</b>				
Power-to-weight ratio	kg/kW		9.0	7.5
Output per litre	kW		63.5	76.8
Acceleration	0–100 km/h	sec	5.8	5.3
	0–1000 m	sec	25.9	24.5
in 4th gear	80–120 km/h	sec	(–)	(–)
Top speed	km/h		250 (250)	250
<b>BMW EfficientDynamics</b>				
BMW EfficientDynamics, standard features	Brake Energy Regeneration with recuperation display, Auto Start Stop function, ECO PRO mode with coasting function, intelligent lightweight construction, on-demand operation of ancillary units, air flap control, Electric Power Steering (EPS), detachable a/c compressor, tyres with reduced roll resistance, BMW BluePerformance technology			
<b>Fuel Consumption EU<sup>3)</sup></b>				
With standard wheels and tyres: 8J x 17 wheels, 225/55 R17 tyres (2K1)				
Urban	ltr/100 km		6.0	6.2
Extra-urban	ltr/100 km		4.6	4.7
Combined	ltr/100 km		5.1	5.3
CO <sub>2</sub>	g/km		134	138
With 8J x 18 wheels and 245/45 R18 tyres and with winter tyres (2HM, 2K2, 931)				
Urban	ltr/100 km		6.2	6.5
Extra-urban	ltr/100 km		4.7	4.9
Combined	ltr/100 km		5.3	5.4
CO <sub>2</sub>	g/km		139	143
With 8J x 18 wheels at front, 9J x 18 at rear and 245/45 R18 tyres at front, 275/40 R18 at rear (2AH, 2DC, 2NC)				
With 8.5J x 19 wheels at front, 9J x 19 at rear and 245/40 R19 tyres at front, 275/35 R19 at rear (2K3, 2WC, 2MZ, 2ND)				
With 8.5J x 20 wheels at front, 9J x 20 at rear and 245/35 R20 tyres at front, 275/30 R20 at rear (2H9)				
Urban	ltr/100 km		6.5	6.7
Extra-urban	ltr/100 km		4.9	5.1
Combined	ltr/100 km		5.5	5.6
CO <sub>2</sub>	g/km		144	148
Emission rating			EU6	EU6
<b>Insurance Category (Germany)</b>				
KH / VK / TK			<sup>4)</sup>	<sup>4)</sup>

Specifications applicable to ACEA markets, data relevant to homologation applicable in part only to Germany (weight)  
All technical data are provisional

<sup>1)</sup> Height with roof aerial: 1475 mm

<sup>2)</sup> Oil change

<sup>3)</sup> Fuel consumption and CO<sub>2</sub> emissions depend on the selected tyre format

<sup>4)</sup> Data not yet available

# BMW 528i xDrive Sedan, BMW 535i xDrive Sedan, BMW 550i xDrive Sedan.

		<b>BMW 528i xDrive</b>	<b>BMW 535i xDrive</b>	<b>BMW 550i xDrive</b>
<b>Body</b>				
No of doors/seats		4 / 5	4 / 5	4 / 5
Length/width/height <sup>1)</sup> (unladen)	mm	4907 / 1860 / 1464	4907 / 1860 / 1464	4907 / 1860 / 1464
Wheelbase	mm	2968	2968	2968
Track, front/rear	mm	1600 / 1627	1600 / 1627	1600 / 1627
Ground clearance	mm	141	141	141
Turning circle	m	12.1	12.1	12.1
Tank capacity	app ltr	70	70	70
Cooling system incl heater	ltr	9.3	10.2	11.4
Engine oil <sup>2)</sup>	ltr	5.75	6.5	8.5
Weight, unladen, to DIN/EU	kg	1710 / 1785	1765 / 1840	1880 / 1955
Max load to DIN	kg	600	600	600
Max permissible	kg	2310	2365	2480
Max axle load, front/rear	kg	1100 / 1290	1170 / 1310	1250 / 1320
Max trailer load (12%), braked/unbraked	kg	2000 / 750	2000 / 750	2000 / 750
Max roofload/max towbar dwl	kg	100 / 90	100 / 90	100 / 90
Luggage comp capacity	ltr	520	520	520
Air resistance	Cd x A	0.26 x 2.35	0.27 x 2.35	0.29 x 2.35
<b>Engine</b>				
Config/No of cyls/valves		Straight-four / 4	Straight-six / 4	V90 / 8 / 4
Engine technology		BMW TwinPower Turbo with Twin-Scroll turbocharger, direct injection (High Precision Injection) and fully variable valve control (VALVETRONIC)	BMW TwinPower Turbo with Twin-Scroll turbocharger, direct injection (High Precision Injection) and fully variable valve control (VALVETRONIC)	BMW TwinPower Turbo with two turbochargers, direct injection (High Precision Injection) and fully variable valve control (VALVETRONIC)
Capacity, effective	cc	1997	2979	4395
Stroke / bore	mm	90.1 / 84.0	89.6 / 84.0	88.3 / 89.0
Compression ratio	:1	10.0	10.2	10.0
Fuel grade		Min RON 91	Min RON 91	Min RON 91
Max output	kW/hp	180 / 245	225 / 306	350 / 450
at	rpm	5000 – 6500	5800 – 6000	5500 – 6000
Max torque	Nm	350	400	650
at	rpm	1250 – 4800	1200 – 5000	2000 – 4500
<b>Electrical System</b>				
Battery/installation	Ah/–	90 / luggage comp	90 / luggage comp	90 / luggage comp
Alternator	AW	170 / 2380	210 / 2940	220 / 3080
<b>Driving Dynamics and Safety</b>				
Suspension, front		Double track control arm axle with separate lower track arm level, aluminium, small steering roll radius, anti-dive		
Suspension, rear		Integral-V multi-arm axle, aluminium, anti-squat and anti-dive, double acoustic separation		
Brakes, front		Single-piston aluminium swing-calliper disc brakes in frame structure		
Diameter	mm	330 x 24 / inner-vented	348 x 36 / inner-vented	374 x 36 / inner-vented
Brakes, rear		Single-piston swing-calliper disc brakes		
Diameter	mm	330 x 20 / inner-vented	345 x 24 / inner-vented	345 x 24 / inner-vented
Driving stability systems		Standard: DSC incl ABS and Dynamic Traction Control (DTC), Cornering Brake Control (CBC), Dynamic Brake Control (DBC), Dry Braking function, Fading Compensation, Start-Off Assistant, linked to xDrive all-wheel-drive system in Integrated Chassis Management (ICM); optional: Dynamic Damper Control, Adaptive Drive (BMW 535i xDrive, BMW 550i xDrive)		
Safety equipment		Standard: airbags for driver and front passenger, side airbags for driver and front passenger, head airbags for front and rear seats, three-point inertia-reel belts on all seats with belt stopper, belt tightener and belt force limiter at the front, crash-activated headrests at the front, crash sensors, Tyre Defect Indicator		
Steering		Hydraulic rack-and-pinion power steering with Servotronic		
Steering transmission, overall	:1	17.9	17.9	17.9
Tyres, front/rear		225/55 R17 97W	225/55 R17 97W	245/45 R18 96Y RSC
Rims, front/rear		8J x 17 light-alloy	8J x 17 light-alloy	8J x 18 light-alloy

	BMW 528i xDrive	BMW 535i xDrive	BMW 550i xDrive
--	-----------------	-----------------	-----------------

#### BMW ConnectedDrive

Comfort	Opt: BMW Assist including Enquiry Service, remote-control functions, Real-Time Traffic Information, BMW TeleServices, integration of mobile terminals
Infotainment	Opt: Internet, BMW Online incl Parkinfo, National Info, Google Local Search, News, Realtime Weather, BMW Routes, Office Functions, Bluetooth Audio Streaming, Online Update Music Tracks, Apps
Safety	Optional: Adaptive Headlights with Bending Lights, variable light distribution and adaptive headlight range control, High-Beam Assistant, Park Distance Control, back-up camera, Surround View including Side View and Top View, BMW Night Vision with detection of persons, Head-Up Display, Parking Assistant, collision warning with brake activation function in combination with Active Cruise Control with Stop & Go, Lane Change Warning, Lane Departure Warning, Speed Limit Info, Active Protection, Automatic/Enhanced Emergency Call

#### Transmission

Type of gearbox	Eight-speed automatic with Steptronic			
Gear ratios	I :1	4.714	4.714	4.714
	II :1	3.143	3.143	3.143
	III :1	2.106	2.106	2.106
	IV :1	1.667	1.667	1.667
	V :1	1.285	1.285	1.285
	VI :1	1.000	1.000	1.000
	VII :1	0.839	0.839	0.839
	VIII :1	0.667	0.667	0.667
	R :1	3.295	3.295	3.317
Final drive	:1	3.231	3.077	2.813

#### Performance

Power-to-weight ratio	kg/kW	9.5	7.8	5.7	
Output per litre	kW	90.1	75.5	75.1	
Acceleration	0-100 km/h	sec	6.3	5.6	4.4
	0-1000 m	sec	26.6	25.6	23.3
in 4th gear	80-120 km/h	sec	-	-	-
Top speed	km/h	250	250	250	

#### BMW EfficientDynamics

BMW EfficientDynamics, standard features	Brake Energy Regeneration with recuperation display, Auto Start Stop function, ECO PRO mode with coasting function, intelligent lightweight construction, on-demand operation of ancillary units, air flap control, map-controlled oil pump, detachable a/c compressor, efficiency-optimised rear differential and power divider, tyres with reduced roll resistance
--	--

#### Fuel Consumption EU<sup>3)</sup>

With standard wheels and tyres				
BMW 528i xDrive, BMW 535i xDrive: 8J x 17 wheels, 225/55 R17 tyres (2K1)				
BMW 550i xDrive: 8J x 18 wheels and 245/45 R18 tyres (2K2)				
Urban	ltr/100 km	8.4	10.5	12.7
Extra-urban	ltr/100 km	5.2	5.9	7.1
Combined	ltr/100 km	6.4	7.6	9.2
CO <sub>2</sub>	g/km	149	178	214
With 8J x 18 wheels and 245/45 R18 tyres and with winter tyres (2HM, 2K2, 931)				
Urban	ltr/100 km	8.7	10.8	-
Extra-urban	ltr/100 km	5.4	6.1	-
Combined	ltr/100 km	6.6	7.8	-
CO <sub>2</sub>	g/km	154	183	-
With 8J x 18 wheels at front, 9J x 18 at rear and 245/45 R18 tyres at front, 275/40 R18 at rear (2AH, 2DC, 2NC)				
With 8.5J x 19 wheels at front, 9J x 19 at rear and 245/40 R19 tyres at front, 275/35 R19 at rear (2K3, 2WC, 2MZ, 2ND)				
With 8.5J x 20 wheels at front, 9J x 20 at rear and 245/35 R20 tyres at front, 275/30 R20 at rear (2H9)				
Urban	ltr/100 km	9.0	11.1	13.0
Extra-urban	ltr/100 km	5.6	6.3	7.2
Combined	ltr/100 km	6.8	8.1	9.3
CO <sub>2</sub>	g/km	159	188	218
Emission rating		EU6	EU6	EU6

#### Insurance Category (Germany)

KH / VK / TK	4)	4)	4)
--------------	----	----	----

Specifications applicable to ACEA markets, data relevant to homologation applicable in part only to Germany (weight)  
All technical data are provisional

<sup>1)</sup> Height with roof aerial: 1475 mm

<sup>2)</sup> Oil change

<sup>3)</sup> Fuel consumption and CO<sub>2</sub> emissions depend on the selected tyre format

<sup>4)</sup> Data not yet available

# BMW 520d xDrive Sedan, BMW 525d xDrive Sedan.

	<b>BMW 520d xDrive</b>		<b>BMW 525d xDrive</b>
<b>Body</b>			
No of doors/seats		4 / 5	4 / 5
Length/width/height <sup>1)</sup> (unladen)	mm	4907 / 1860 / 1464	4907 / 1860 / 1464
Wheelbase	mm	2968	2968
Track, front/rear	mm	1600 / 1627	1600 / 1627
Ground clearance	mm	141	141
Turning circle	m	12.1	12.1
Tank capacity	app ltr	70	70
Cooling system incl heater	ltr	7.0	8.0
Engine oil <sup>2)</sup>	ltr	5.2	5.2
Weight, unladen, to DIN/EU	kg	1730 / 1805	1765 / 1840
Max load to DIN	kg	600	600
Max permissible	kg	2330	2365
Max axle load, front/rear	kg	1170 / 1300	1170 / 1320
Max trailer load (12%), braked/unbraked	kg	2000 / 750	2000 / 750
Max roofload/max towbar dwl	kg	100 / 90	100 / 90
Luggage comp capacity	ltr	520	520
Air resistance	Cd x A	0.25 x 2.35	0.26 x 2.35
<b>Engine</b>			
Config/No of cyls/valves		R / 4 / 4	Straight-four / 4
Engine technology		BMW TwinPower Turbo technology; variable-geometry turbocharger, Common Rail direct injection with solenoid valve injectors (max. injection pressure: 1800 bar)	BMW TwinPower Turbo technology with variable-geometry multi-stage high-pressure turbocharger, Common Rail direct injection with piezo injectors (max. injection pressure: 2000 bar)
Capacity, effective	cc	1995	1955
Stroke / bore	mm	90.0 / 84.0	90.0 / 84.0
Compression ratio	:1	16.5	16.5
Fuel grade		Diesel	Diesel
Max output	kW/hp	135 / 184	160 / 218
at	rpm	4000	4400
Max torque	Nm	380	450
at	rpm	1750	1500
<b>Electrical System</b>			
Battery/installation	Ah/-	90 / luggage comp	90 / luggage comp
Alternator	A/W	180 / 2520	220 / 3080
<b>Driving Dynamics and Safety</b>			
Suspension, front		Double track control arm axle with separate lower track arm level, aluminium, small steering roll radius, anti-dive	
Suspension, rear		Integral-V multi-arm axle, aluminium, anti-squat and anti-dive, double acoustic separation	
Brakes, front		Single-piston aluminium swing-calliper disc brakes in frame structure	
Diameter	mm	330 x 24 / inner-vented	348 x 30 / inner-vented
Brakes, rear		Single-piston swing-calliper disc brakes	
Diameter	mm	330 x 20 / inner-vented	330 x 20 / inner-vented
Driving stability systems		Standard: DSC incl ABS and Dynamic Traction Control (DTC), Cornering Brake Control (CBC), Dynamic Brake Control (DBC), Dry Braking function, Fading Compensation, Start-Off Assistant, linked to xDrive all-wheel-drive system in Integrated Chassis Management (ICM); optional: Dynamic Damper Control	
Safety equipment		Standard: airbags for driver and front passenger, side airbags for driver and front passenger, head airbags for front and rear seats, three-point inertia-reel belts on all seats with belt stopper, belt tightener and belt force limiter at the front, crash-activated headrests at the front, crash sensors, Tyre Defect Indicator	
Steering		Hydraulic rack-and-pinion power steering with Servotronic	
Steering transmission, overall	:1	17.9	17.9
Tyres, front/rear		225/55 R17 97W	225/55 R17 97W
Rims, front/rear		8J x 17 light-alloy	8J x 17 light-alloy

			BMW 520d xDrive	BMW 525d xDrive
<b>Transmission</b>				
Type of gearbox				Eight-speed automatic with Steptronic
Gear ratios	I	:1	4.714	4.714
	II	:1	3.143	3.143
	III	:1	2.106	2.106
	IV	:1	1.667	1.667
	V	:1	1.285	1.285
	VI	:1	1.000	1.000
	VII	:1	0.839	0.839
	VIII	:1	0.667	0.667
	R	:1	3.295	3.295
Final drive			3.077	3.077
<b>Performance</b>				
Power-to-weight ratio	kg/kW		12.8	11.0
Output per litre	kW		67.7	80.2
Acceleration	0–100 km/h	sec	8.1	7.0
	0–1000 m	sec	29.1	27.6
in 4th gear	80–120 km/h	sec	–	–
Top speed	km/h		228	240
<b>BMW EfficientDynamics</b>				
BMW EfficientDynamics, standard features	Brake Energy Regeneration with recuperation display, Auto Start Stop function, ECO PRO mode with coasting function, intelligent lightweight construction, on-demand operation of ancillary units, air flap control, detachable a/c compressor, efficiency-optimised rear differential and power divider, tyres with reduced roll resistance, BMW BluePerformance technology			
<b>Fuel consumption EU<sup>3)</sup></b>				
With standard wheels and tyres: 8J x 17 wheels, 225/55 R17 tyres (2K1)				
Urban	ltr/100 km		5.7	5.8
Extra-urban	ltr/100 km		4.4	4.6
Combined	ltr/100 km		4.9	5.1
CO <sub>2</sub>	g/km		129	133
With 8J x 18 wheels and 245/45 R18 tyres and with winter tyres (2HM, 2K2, 931)				
Urban	ltr/100 km		5.9	6.1
Extra-urban	ltr/100 km		4.6	4.8
Combined	ltr/100 km		5.1	5.3
CO <sub>2</sub>	g/km		134	138
With 8J x 18 wheels at front, 9J x 18 at rear and 245/45 R18 tyres at front, 275/40 R18 at rear (2AH, 2DC, 2NC)				
With 8.5J x 19 wheels at front, 9J x 19 at rear and 245/40 R19 tyres at front, 275/35 R19 at rear (2K3, 2WC, 2MZ, 2ND)				
With 8.5J x 20 wheels at front, 9J x 20 at the rear and 245/35 R20 tyres at front, 275/30 R20 at the rear (2H9)				
Urban	ltr/100 km		6.2	6.3
Extra-urban	ltr/100 km		4.8	5.0
Combined	ltr/100 km		5.3	5.4
CO <sub>2</sub>	g/km		139	143
Emission rating			EU6	EU6
<b>Insurance category (Germany)</b>				
KH / VK / TK			4)	4)

Specifications applicable to ACEA markets, data relevant to homologation applicable in part only to Germany (weight)  
All technical data are provisional

<sup>1)</sup> Height with roof aerial: 1475 mm

<sup>2)</sup> Oil change

<sup>3)</sup> Fuel consumption and CO<sub>2</sub> emissions depend on the selected tyre format

<sup>4)</sup> Data not yet available

# BMW 530d xDrive Sedan, BMW 535d xDrive Sedan.

	<b>BMW 530d xDrive</b>		<b>BMW 535d xDrive</b>
<b>Body</b>			
No of doors/seats		4 / 5	4 / 5
Length/width/height <sup>1)</sup> (unladen)	mm	4907 / 1860 / 1464	4907 / 1860 / 1464
Wheelbase	mm	2968	2968
Track, front/rear	mm	1600 / 1627	1600 / 1627
Ground clearance	mm	141	141
Turning circle	m	12.1	12.1
Tank capacity	app ltr	70	70
Cooling system incl heater	ltr	8.0	8.0
Engine oil <sup>2)</sup>	ltr	6.7	6.2
Weight, unladen, to DIN/EU	kg	1810 / 1885	1840 / 1915
Max load to DIN	kg	600	600
Max permissible	kg	2410	2440
Max axle load, front/rear	kg	1190 / 1325	1200 / 1330
Max trailer load (12%), braked/unbraked	kg	2000 / 750	2000 / 750
Max roofload/max towbar dwl	kg	100 / 90	100 / 90
Luggage comp capacity	ltr	520	520
Air resistance	Cd x A	0.26 x 2.35	0.26 x 2.35
<b>Engine</b>			
Config/No of cyls/valves		Straight-six / 4	Straight-six / 4
Engine technology		BMW TwinPower Turbo technology with variable-geometry turbocharger, Common Rail direct injection with solenoid valve injectors (max. injection pressure: 1800 bar)	BMW TwinPower Turbo technology with variable-geometry, high-pressure multi-stage turbocharging, Common Rail direct injection with piezo injectors (max. injection pressure: 2000 bar)
Capacity, effective	cc	2993	2993
Stroke / bore	mm	90.0 / 84.0	90.0 / 84.0
Compression ratio	:1	16.5	16.5
Fuel grade		Diesel	Diesel
Max output	kW/hp	190 / 258	230 / 313
at	rpm	4000	4400
Max torque	Nm	560	630
at	rpm	1500-3000	1500-2500
<b>Electrical System</b>			
Battery/installation	Ah/-	90 / luggage comp	90 / luggage comp
Alternator	A/W	220 / 3080	220 / 3080
<b>Driving Dynamics and Safety</b>			
Suspension, front		Double track control arm axle with separate lower track arm level, aluminium, small steering roll radius, anti-dive	
Suspension, rear		Integral-V multi-arm axle, aluminium, anti-squat and anti-dive, double acoustic separation	
Brakes, front		Single-piston aluminium swing-calliper disc brakes in frame structure	
Diameter	mm	348 x 30 / inner-vented	348 x 36 / inner-vented
Brakes, rear		Single-piston swing-calliper disc brakes	
Diameter	mm	330 x 20 / inner-vented	330 x 20 / inner-vented 345 x 24 / inner-vented
Driving stability systems		Standard: DSC incl ABS and Dynamic Traction Control (DTC), Cornering Brake Control (CBC), Dynamic Brake Control (DBC), Dry Braking function, Fading Compensation, Start-Off Assistant, linked to xDrive all-wheel-drive system in Integrated Chassis Management (ICM); optional: Dynamic Damper Control, Adaptive Drive	
Safety equipment		Standard: airbags for driver and front passenger, side airbags for driver and front passenger, head airbags for front and rear seats, three-point inertia-reel belts on all seats with belt stopper, belt tightener and belt force limiter at the front, crash-activated headrests at the front, crash sensors, Tyre Defect Indicator	
Steering		Hydraulic rack-and-pinion power steering with Servotronic	
Steering transmission, overall	:1	17.1	17.1
Tyres, front/rear		225/55 R17 97W	225/55 R17 97W
Rims, front/rear		8J x 17 light-alloy	8J x 17 light-alloy

			BMW 530d xDrive	BMW 535d xDrive
<b>Transmission</b>				
Type of gearbox	Eight-speed automatic with Steptronic			
Gear ratios	I	:1	4.714	4.714
	II	:1	3.143	3.143
	III	:1	2.106	2.106
	IV	:1	1.667	1.667
	V	:1	1.285	1.285
	VI	:1	1.000	1.000
	VII	:1	0.839	0.839
	VIII	:1	0.667	0.667
	R	:1	3.317	3.317
Final drive		:1	2.471	2.647
<b>Performance</b>				
Power-to-weight ratio		kg/kW	9.5	8.0
Output per litre		kW	63.5	76.8
Acceleration	0–100 km/h	sec	5.7	5.1
	0–1000 m	sec	26.1	24.6
in 4th gear	80–120 km/h	sec	–	–
Top speed		km/h	250	250
<b>BMW EfficientDynamics</b>				
BMW EfficientDynamics, standard features	Brake Energy Regeneration with recuperation display, Auto Start Stop function, ECO PRO mode with coasting function, intelligent lightweight construction, on-demand operation of ancillary units, air flap control, detachable a/c compressor, efficiency-optimised rear differential and power divider, tyres with reduced roll resistance, BMW BluePerformance technology			
<b>Fuel Consumption EU<sup>3)</sup></b>				
With standard wheels and tyres: 8J x 17 wheels, 225/55 R17 tyres (2K1)				
Urban		ltr/100 km	6.4	6.8
Extra-urban		ltr/100 km	4.9	4.9
Combined		ltr/100 km	5.4	5.6
CO <sub>2</sub>		g/km	142	147
With 8J x 18 wheels and 245/45 R18 tyres and with winter tyres (2HM, 2K2, 931)				
Urban		ltr/100 km	6.6	7.0
Extra-urban		ltr/100 km	5.0	5.1
Combined		ltr/100 km	5.6	5.8
CO <sub>2</sub>		g/km	147	152
With 8J x 18 wheels at front, 9J x 18 at rear and 245/45 R18 tyres at front, 275/40 R18 at rear (2AH, 2DC, 2NC)				
With 8.5J x 19 wheels at front, 9J x 19 at rear and 245/40 R19 tyres at front, 275/35 R19 at rear (2K3, 2WC, 2MZ, 2ND)				
With 8.5J x 20 wheels at front, 9J x 20 at the rear and 245/35 R20 tyres at front, 275/30 R20 at the rear (2H9)				
Urban		ltr/100 km	6.8	7.2
Extra-urban		ltr/100 km	5.2	5.2
Combined		ltr/100 km	5.8	6.0
CO <sub>2</sub>		g/km	152	157
Emission rating			EU6	EU6
<b>Insurance Category (Germany)</b>				
KH / VK / TK			4)	4)

Specifications applicable to ACEA markets, data relevant to homologation applicable in part only to Germany (weight)  
All technical data are provisional

<sup>1)</sup> Height with roof aerial: 1475 mm

<sup>2)</sup> Oil change

<sup>3)</sup> Fuel consumption and CO<sub>2</sub> emissions depend on the selected tyre format

<sup>4)</sup> Data not yet available

# BMW M550d xDrive Sedan.

<b>BMW M550d xDrive</b>		
<b>Body</b>		
No of doors/seats		4 / 5
Length/width/height <sup>1)</sup> (unladen)	mm	4910 / 1860 / 1454
Wheelbase	mm	2968
Track, front/rear	mm	1594 / 1599
Ground clearance	mm	131
Turning circle	m	12.1
Tank capacity	app ltr	70
Cooling system incl heater	ltr	12.6
Engine oil <sup>2)</sup>	ltr	6.5
Weight, unladen, to DIN/EU	kg	1880 / 1955
Max load to DIN	kg	580
Max permissible	kg	2460
Max axle load, front/rear	kg	1240 / 1130
Max trailer load (12%), braked/unbraked	kg	2000 / 750
Max roofload/max towbar dwl	kg	100 / 90
Luggage comp capacity	ltr	520
Air resistance	Cd x A	0.30 x 2.35
<b>Engine</b>		
Config/No of cyls/valves		Straight-six / 4
Engine technology		M Performance TwinPower Turbo technology with three multi-stage variable-geometry turbochargers, Common Rail direct injection with piezo injectors (max. injection pressure: 2200 bar)
Capacity, effective	cc	2993
Stroke / bore	mm	90.0 / 84.0
Compression ratio	:1	16.0
Fuel grade		Diesel
Max output	kW/hp	280 / 381
at	rpm	4000 – 4400
Max torque	Nm	740
at	rpm	2000 – 3000
<b>Electrical System</b>		
Battery/installation	Ah/-	90 / luggage comp
Alternator	AW	220 / 3080
<b>Driving Dynamics and Safety</b>		
Suspension, front		Double track control arm axle with separate lower track arm level, aluminium, M-specific damping and suspension tuning, small steering roll radius, anti-dive
Suspension, rear		Integral-V multi-arm axle, aluminium, double acoustic separation, M-specific damping and suspension tuning, anti-squat and anti-dive
Brakes, front		Single-piston aluminium swing-calliper disc brakes in frame structure
Diameter	mm	374 x 36 / inner-vented
Brakes, rear		Single-piston swing-calliper disc brakes
Diameter	mm	345 x 24 / inner-vented
Driving stability systems		Standard: DSC incl ABS and Dynamic Traction Control (DTC), Cornering Brake Control (CBC), Dynamic Brake Control (DBC), Dry Braking function, Fading Compensation, Start-Off Assistant, linked to xDrive all-wheel-drive system in Integrated Chassis Management (ICM); optional: Adaptive Drive
Safety equipment		Standard: airbags for driver and front passenger, side airbags for driver and front passenger, head airbags for front and rear seats, three-point inertia-reel belts on all seats with belt tightener and belt force limiter at the front, crash-activated headrests at the front, crash sensors, run-flat tyres, Tyre Defect Indicator
Steering		Hydraulic rack-and-pinion power steering with M-specific Servotronic
Steering transmission, overall	:1	17.9
Tyres, front/rear		245/40 R19 94Y RSC 275/35 R19 96Y RSC
Rims, front/rear		8.5J x 19 light-alloy 9J x 19 light-alloy



**BMW M550d xDrive**

**Transmission**

Type of gearbox			
Gear ratios	I	:1	4.714
	II	:1	3.143
	III	:1	2.106
	IV	:1	1.667
	V	:1	1.285
	VI	:1	1.000
	VII	:1	0.839
	VIII	:1	0.667
	R	:1	3.317
Final drive		:1	2.813

**Performance**

Power-to-weight ratio		kg/kW	6.7
Output per litre		kW	93.6
Acceleration	0–100 km/h	sec	4.7
	0–1000 m	sec	23.7
in 4th gear	80–120 km/h	sec	–
Top speed		km/h	250

**BMW EfficientDynamics**

BMW EfficientDynamics, standard features  
 Brake Energy Regeneration with recuperation display, Auto Start Stop function, ECO PRO mode with coasting function, intelligent lightweight construction, on-demand operation of ancillary units, air flap control, detachable a/c compressor, efficiency-optimised rear differential and power divider, tyres with reduced roll resistance, BMW BluePerformance technology

**Fuel Consumption EU**

Urban		ltr/100 km	7.5
Extra-urban		ltr/100 km	5.4
Combined		ltr/100 km	6.2
CO <sub>2</sub>		g/km	162
Emission rating			EU6

**Insurance Category  
(Germany)**

KH / VK / TK 3)

Specifications applicable to ACEA markets, data relevant to homologation applicable in part only to Germany (weight)  
 All technical data are provisional

- <sup>1)</sup> Height with roof aerial: 1465 mm
- <sup>2)</sup> Oil change
- <sup>3)</sup> Fuel consumption and CO<sub>2</sub> emissions depend on the selected tyre format
- <sup>4)</sup> Data not yet available

# BMW 520i Touring, BMW 528i Touring.

	<b>BMW 520i Touring</b>		<b>BMW 528i Touring</b>	
<b>Body</b>				
No of doors/seats		5 / 5		5 / 5
Length/width/height <sup>1)</sup> (unladen)	mm	4907 / 1860 / 1462		4907 / 1860 / 1462
Wheelbase	mm	2968		2968
Track, front/rear	mm	1600 / 1626		1600 / 1626
Ground clearance	mm	141		141
Turning circle	m	12.0		12.0
Tank capacity	app ltr	70		70
Cooling system incl heater	ltr	9.1 (9.3)		9.1 (9.3)
Engine oil <sup>2)</sup>	ltr	5.75		5.75
Weight, unladen, to DIN/EU	kg	1710 / 1785 (1730 / 1805)		1715 / 1790 (1735 / 1810)
Max load to DIN	kg	640		640
Max permissible	kg	2350 (2370)		2355 (2375)
Max axle load, front/rear	kg	1070 / 1415		1070 / 1415
Max trailer load (12%), braked/unbraked	kg	2000 / 750		2000 / 750
Max roofload/max towbar dwl	kg	100 / 90		100 / 90
Luggage comp capacity	ltr	560-1670		560-1670
Air resistance	Cd x A	<sup>4)</sup> x 2.35		<sup>4)</sup> x 2.35
<b>Engine</b>				
Config/No of cyls/valves		Straight-four / 4		Straight-four / 4
Engine technology		BMW TwinPower Turbo with Twin-Scroll turbocharger, direct injection (High Precision Injection) and fully variable valve control (VALVETRONIC)		BMW TwinPower Turbo with Twin-Scroll turbocharger, direct injection (High Precision Injection) and fully variable valve control (VALVETRONIC)
Capacity, effective	cc	1997		1997
Stroke / bore	mm	90.1 / 84.0		90.1 / 84.0
Compression ratio	:1	10.0		10.0
Fuel grade		Min RON 91		Min RON 91
Max output	kW/hp	135 / 184		180 / 245
at	rpm	5000 – 6250		5000 – 6500
Max torque	Nm	270		350
at	rpm	1250 – 4500		1250 – 4800
<b>Electrical System</b>				
Battery/installation	Ah/-	90 / luggage comp		90 / luggage comp
Alternator	AW	170 / 2380		170 / 2380
<b>Driving Dynamics and Safety</b>				
Suspension, front		Double track control arm axle with separate lower track arm level, aluminium, small steering roll radius, anti-dive		
Suspension, rear		Integral-V multi-arm axle, aluminium, with steering function, anti-squat and anti-dive, double acoustic separation, air suspension with automatic self-levelling		
Brakes, front		Single-piston aluminium swing-calliper disc brakes in frame structure		
Diameter	mm	330 x 24 / inner-vented		348 x 30 / inner-vented
Brakes, rear		Single-piston swing-calliper disc brakes		
Diameter	mm	330 x 20 / inner-vented		330 x 20 / inner-vented
Driving stability systems		Standard: DSC incl ABS and DTC Dynamic Traction Control, CBC Cornering Brake Control, DBC Dynamic Brake Control, Dry Braking function, Fading Compensation, Start-Off Assistant; optional: Dynamic Damper Control		
Safety equipment		Standard: airbags for driver and front passenger, side airbags for driver and front passenger, head airbags for front and rear seats, three-point inertia-reel belts on all seats with belt stopper, belt tightener and belt force limiter at the front, crash-activated headrests at the front, crash sensors, Tyre Defect Indicator		
Steering		Electric Power Steering (EPS) with Servotronic; optional: Integral Active Steering		
Steering transmission, overall	:1	17.1		17.1
Tyres, front/rear		225/55 R17 97W		225/55 R17 97Y
Rims, front/rear		8J x 17 light-alloy		8J x 17 light-alloy

			<b>BMW 520i Touring</b>	<b>BMW 528i Touring</b>
<b>Transmission</b>				
Type of gearbox	Six-speed manual (optional: eight-speed automatic with Steptronic)			
Gear ratios	I	:1	3.683 (4.714)	3.683 (4.714)
	II	:1	2.062 (3.143)	2.062 (3.143)
	III	:1	1.313 (2.106)	1.313 (2.106)
	IV	:1	1.000 (1.667)	1.000 (1.667)
	V	:1	0.809 (1.285)	0.809 (1.285)
	VI	:1	0.677 (1.000)	0.677 (1.000)
	VII	:1	– (0.839)	– (0.839)
	VIII	:1	– (0.667)	– (0.667)
	R	:1	3.348 (3.295)	3.348 (3.295)
Final drive		:1	3.909 (3.231)	3.909 (3.231)
<b>Performance</b>				
Power-to-weight ratio	kg/kW		12.7 (12.8)	9.5 (9.6)
Output per litre	kW		67.6	90.1
Acceleration	0–100 km/h	sec	8.3 (8.3)	6.4 (6.5)
	0–1000 m km	sec	29.6 (29.7)	26.5 (26.6)
in 4th gear	80–120 km/h	sec	8.1 / 11.2 (–)	6.7 / 9.0 (–)
Top speed	km/h		226 (225)	248 (247)
<b>BMW EfficientDynamics</b>				
BMW EfficientDynamics, standard features	Brake Energy Regeneration with recuperation display, Auto Start Stop function, gearshift point indicator (on manual gearbox models), ECO PRO mode with coasting function (on automatic models), intelligent lightweight construction, on-demand operation of ancillary units, air flap control, Electric Power Steering (EPS), map-controlled oil pump, detachable a/c compressor, tyres with reduced roll resistance			
<b>Fuel Consumption EU<sup>3)</sup></b>				
With standard wheels and tyres: 8J x 17 wheels, 225/55 R17 tyres (2K1)				
Urban	ltr/100 km		8.9 (8.6)	9.3 (8.0)
Extra-urban	ltr/100 km		5.5 (5.0)	5.6 (5.0)
Combined	ltr/100 km		6.7 (6.3)	7.0 (6.1)
CO <sub>2</sub>	g/km		157 (147)	162 (142)
With 8J x 18 wheels and 245/45 R18 tyres and with winter tyres (2HM, 2K2, 2DD, 2AK, 2NA, 931)				
Urban	ltr/100 km		9.2 (8.9)	9.6 (8.3)
Extra-urban	ltr/100 km		5.7 (5.2)	5.7 (5.1)
Combined	ltr/100 km		7.0 (6.5)	7.2 (6.3)
CO <sub>2</sub>	g/km		162 (152)	167 (147)
With 8,5J x 19 wheels and 245/40 R19 tyres (2K4, 2WD, 2M3, 2NB)				
Urban	ltr/100 km		9.5 (9.1)	9.9 (8.6)
Extra-urban	ltr/100 km		5.8 (5.3)	5.9 (5.3)
Combined	ltr/100 km		7.2 (6.7)	7.4 (6.5)
CO <sub>2</sub>	g/km		167 (157)	172 (152)
Emission rating			EU6	EU6
<b>Insurance Category (Germany)</b>				
KH / VK / TK			<sup>4)</sup>	<sup>4)</sup>

Specifications applicable to ACEA markets, data relevant to homologation applicable in part only to Germany (weight)  
 Figures in brackets apply to automatic transmission models  
 All technical data are provisional

<sup>1)</sup> Height with roof aerial: 1475 mm

<sup>2)</sup> Oil change

<sup>3)</sup> Fuel consumption and CO<sub>2</sub> emissions depend on the selected tyre format

<sup>4)</sup> Data not yet available

# BMW 535i Touring, BMW 550i Touring.

	<b>BMW 535i Touring</b>		<b>BMW 550i Touring</b>
<b>Body</b>			
No of doors/seats		5 / 5	5 / 5
Length/width/height <sup>1)</sup> (unladen)	mm	4907 / 1860 / 1462	4907 / 1860 / 1462
Wheelbase	mm	2968	2968
Track, front/rear	mm	1600 / 1626	1600 / 1626
Ground clearance	mm	141	141
Turning circle	m	12.0	12.0
Tank capacity	app ltr	70	70
Cooling system incl heater	ltr	10.1 (10.2)	11.6
Engine oil <sup>2)</sup>	ltr	6.5	9.0
Weight, unladen, to DIN/EU	kg	1770 / 1845 (1785 / 1860)	1925 / 2000
Max load to DIN	kg	650	630
Max permissible	kg	2420 (2435)	2555
Max axle load, front/rear	kg	1100 / 1400	1195 / 1420
Max trailer load (12%), braked/unbraked	kg	2000 / 750	2000 / 750
Max roofload/max towbar dwl	kg	100 / 90	100 / 90
Luggage comp capacity	ltr	560 – 1670	560 – 1670
Air resistance	Cd x A	<sup>4)</sup> x 2.35	<sup>4)</sup> x 2.35
<b>Engine</b>			
Config/No of cyls/valves		Straight-six / 4	V90 / 8 / 4
Engine technology		BMW TwinPower Turbo technology with Twin-Scroll turbocharger, direct injection ( High Precision Injection) and fully variable valve control (VALVETRONIC)	BMW TwinPower Turbo with two turbochargers, direct injection (High Precision Injection) and fully variable valve control (VALVETRONIC)
Capacity, effective	cc	2979	4395
Stroke / bore	mm	89.6 / 84.0	88.3 / 89.0
Compression ratio	:1	10.2	10.0
Fuel grade		Min RON 91	Min RON 91
Max output	kW/hp	225 / 306	350 / 450
at	rpm	5800 – 6000	5500 – 6000
Max torque	Nm	400	650
at	rpm	210 / 2940	210 / 2940
<b>Electrical System</b>			
Battery/installation	Ah/-	90 / luggage comp	90 / luggage comp
Alternator	A/W	210 / 2940	220 / 3080
<b>Driving Dynamics and Safety</b>			
Suspension, front		Double track control arm axle with separate lower track arm level, aluminium, small steering roll radius, anti-dive	
Suspension, rear		Integral-V multi-arm axle, aluminium, with steering function, anti-squat and anti-dive, double acoustic separation, air suspension with automatic self-levelling	
Brakes, front		Single-piston aluminium swing-calliper disc brakes in frame structure	
Diameter	mm	348 x 36 / inner-vented	374 x 36 / inner-vented
Brakes, rear		Single-piston swing-calliper disc brakes	
Diameter	mm	345 x 24 / inner-vented	345 x 24 / inner-vented
Driving stability systems		Standard: DSC incl ABS and DTC Dynamic Traction Control, CBC Cornering Brake Control, DBC Dynamic Brake Control, Dry Braking function, Fading Compensation, Start-Off Assistant; optional: Dynamic Damper Control, Adaptive Drive (BMW 535i)	
Safety equipment		Standard: airbags for driver and front passenger, side airbags for driver and front passenger, head airbags for front and rear seats, three-point inertia-reel belts on all seats with belt stopper, belt tightener and belt force limiter at the front, crash-activated headrests at the front, crash sensors, Tyre Defect Indicator	
Steering		Electric Power Steering (EPS) with Servotronic; optional: Integral Active Steering	
Steering transmission, overall	:1	17.1	17.1
Tyres, front/rear		225/55 R17 97Y	245/45 R18 96Y RSC
Rims, front/rear		8J x 17 light-alloy	8J x 18 light-alloy

		<b>BMW 535i Touring</b>		<b>BMW 550i Touring</b>
<b>Transmission</b>				
Type of gearbox			Six-speed manual (optional: eight-speed automatic with Steptronic)	Eight-speed automatic with Steptronic
Gear ratios	I	:1	4.110 (4.714)	4.714
	II	:1	2.315 (3.143)	3.143
	III	:1	1.542 (2.106)	2.106
	IV	:1	1.179 (1.667)	1.667
	V	:1	1.000 (1.285)	1.285
	VI	:1	0.846 (1.000)	1.000
	VII	:1	– (0.839)	0.839
	VIII	:1	– (0.667)	0.667
	R	:1	3.727 (3.295)	3.317
Final drive		:1	3.231 (3.077)	2.647
<b>Performance</b>				
Power-to-weight ratio		kg/kW	7.9 (7.9)	5.8
Output per litre		kW	75.5	75.1
Acceleration	0–100 km/h	sec	5.8 (5.8)	4.7
	0–1000 m	sec	25.3 (25.7)	23.5
in 4th gear	80–120 km/h	sec	6.1 / 7.3 (–)	–
Top speed		km/h	250 (250)	250
<b>BMW EfficientDynamics</b>				
BMW EfficientDynamics, standard features	Brake Energy Regeneration with recuperation display, Auto Start Stop function, gearshift point indicator (on manual gearbox models), ECO PRO mode with coasting function (on automatic models), intelligent lightweight construction, on- demand operation of ancillary units, air flap control, Electric Power Steering (EPS), map-controlled oil pump, detachable a/c compressor, tyres with reduced roll resistance			
<b>Fuel Consumption EU<sup>3)</sup></b>				
With standard wheels and tyres: 8J x 17 wheels, 225/55 R17 tyres (2K1)				
Urban		ltr/100 km	11.2 (10.3)	12.3
Extra-urban		ltr/100 km	6.3 (5.8)	6.9
Combined		ltr/100 km	8.1 (7.5)	8.8
CO <sub>2</sub>		g/km	188 (174)	206
With 8J x 18 wheels and 245/45 R18 tyres and with winter tyres (2HM, 2K2, 2DD, 2AK, 2NA, 931)				
Urban		ltr/100 km	11.5 (10.6)	–
Extra-urban		ltr/100 km	6.4 (6.0)	–
Combined		ltr/100 km	8.3 (7.7)	–
CO <sub>2</sub>		g/km	193 (179)	–
With 8,5J x 19 wheels and 245/40 R19 tyres (2K4, 2WD, 2M3, 2NB)				
Urban		ltr/100 km	11.8 (10.9)	12.7
Extra-urban		ltr/100 km	6.6 (6.2)	7.1
Combined		ltr/100 km	8.5 (7.9)	9.1
CO <sub>2</sub>		g/km	198 (184)	213
Emission rating	EU6			EU6
<b>Insurance Category (Germany)</b>				
KH / VK / TK			4)	4)

Specifications applicable to ACEA markets, data relevant to homologation applicable in part only to Germany (weight)  
Figures in brackets apply to automatic transmission models  
All technical data are provisional

<sup>1)</sup> Height with roof aerial: 1475 mm

<sup>2)</sup> Oil change

<sup>3)</sup> Fuel consumption and CO<sub>2</sub> emissions depend on the selected tyre format

<sup>4)</sup> Data not yet available

# BMW 518d Touring, BMW 520d Touring, BMW 525d Touring.

		<b>BMW 518d Touring</b>	<b>BMW 520d Touring</b>	<b>BMW 525d Touring</b>
<b>Body</b>				
No of doors/seats		5 / 5	5 / 5	5 / 5
Length/width/height <sup>1)</sup> (unladen)	mm	4907 / 1860 / 1462	4907 / 1860 / 1462	4907 / 1860 / 1462
Wheelbase	mm	2968	2968	2968
Track, front/rear	mm	1600 / 1626	1600 / 1626	1600 / 1626
Ground clearance	mm	141	141	141
Turning circle	m	12.0	12.0	12.0
Tank capacity	app ltr	70	70	70
Cooling system incl heater	ltr	7.0	7.0	9.0
Engine oil <sup>2)</sup>	ltr	5.2	5.2	5.2
Weight, unladen, to DIN/EU	kg	1720 / 1795 (1730 / 1805)	1725 / 1800 (1735 / 1810)	1750 / 1825 (1760 / 1835)
Max load to DIN	kg	650	650	650
Max permissible	kg	2370 (2380)	2375 (2385)	2400 (2410)
Max axle load, front/rear	kg	1060 / 1420	1060 / 1420	1100 / 1410
Max trailer load (12%), braked/unbraked	kg	2000 / 750	1800 (2000) / 750	2000 / 750
Max roofload/max towbar dwl	kg	100 / 90	100 / 90	100 / 90
Luggage comp capacity	ltr	560 – 1670	560 – 1670	560 – 1670
Air resistance	Cd x A	<sup>4)</sup> x 2.35	<sup>4)</sup> x 2.35	<sup>4)</sup> x 2.35
<b>Engine</b>				
Config/No of cyls/valves		Straight-four / 4	Straight-four / 4	Straight-four / 4
Engine technology		BMW TwinPower Turbo technology with variable-geometry turbocharger, Common Rail direct injection with solenoid valve injectors (max. injection pressure: 1800 bar)	BMW TwinPower Turbo technology with variable-geometry turbocharger, Common Rail direct injection with solenoid valve injectors (max. injection pressure: 1800 bar)	BMW TwinPower Turbo technology with multi-stage variable-geometry high-pressure turbocharger, Common Rail direct injection with piezo injectors (max. injection pressure: 2000 bar)
Capacity, effective	cc	1995	1995	1995
Stroke / bore	mm	90.0 / 84.0	90.0 / 84.0	90.0 / 84.0
Compression ratio	:1	16.5	16.5	16.5
Fuel grade		Diesel	Diesel	Diesel
Max output	kW/hp	105 / 143	135 / 184	160 / 218
at	rpm	4000	4000	4400
Max torque	Nm	360	380	450
at	rpm	1750	1750	1500
<b>Electrical System</b>				
Battery/installation	Ah/-	90 / luggage comp	90 / luggage comp	90 / luggage comp
Alternator	AW	180 / 2520	180 / 2520	180 / 2520
<b>Driving Dynamics and Safety</b>				
Suspension, front		Double track control arm axle with separate lower track arm level, aluminium, small steering roll radius, anti-dive		
Suspension, rear		Integral-V multi-arm axle, aluminium, with steering function, anti-squat and anti-dive, double acoustic separation, air suspension with automatic self-levelling		
Brakes, front		Single-piston aluminium swing-calliper disc brakes in frame structure		
Diameter	mm	330 x 24 / inner-vented	330 x 24 / inner-vented	348 x 30 / inner-vented
Brakes, rear		Single-piston swing-calliper disc brakes		
Diameter	mm	330 x 20 / inner-vented	330 x 20 / inner-vented	330 x 20 / inner-vented
Driving stability systems		Standard: DSC incl ABS and DTC Dynamic Traction Control, CBC Cornering Brake Control, DBC Dynamic Brake Control, Dry Braking function, Fading Compensation, Start-Off Assistant; optional: Dynamic Damper Control		
Safety equipment		Standard: airbags for driver and front passenger, side airbags for driver and front passenger, head airbags for front and rear seats, three-point inertia-reel belts on all seats with belt stopper, belt tightener and belt force limiter at the front, crash-activated headrests at the front, crash sensors, Tyre Defect Indicator		
Steering		Electric Power Steering (EPS) with Servotronic; optional: Integral Active Steering		
Steering transmission, overall	:1	17.1	17.1	17.1
Tyres, front/rear		225/55 R17 97W	225/55 R17 97W	225/55 R17 97W
Rims, front/rear		8J x 17 light-alloy	8J x 17 light-alloy	8J x 17 light-alloy

			<b>BMW 518d Touring</b>	<b>BMW 520d Touring</b>	<b>BMW 525d Touring</b>
<b>Transmission</b>					
Type of gearbox	Six-speed manual (optional: eight-speed automatic with Steptronic)				
Gear ratios	I	:1	4.110 (4.714)	4.110 (4.714)	4.110 (4.714)
	II	:1	2.248 (3.143)	2.248 (3.143)	2.248 (3.143)
	III	:1	1.403 (2.106)	1.403 (2.106)	1.403 (2.106)
	IV	:1	1.000 (1.667)	1.000 (1.667)	1.000 (1.667)
	V	:1	0.802 (1.285)	0.802 (1.285)	0.802 (1.285)
	VI	:1	0.659 (1.000)	0.659 (1.000)	0.659 (1.000)
	VII	:1	– (0.839)	– (0.839)	– (0.839)
	VIII	:1	– (0.667)	– (0.667)	– (0.667)
	R	:1	3.727 (3.295)	3.727 (3.295)	3.727 (3.295)
Final drive		:1	3.385 (3.077)	3.462 (3.077)	3.462 (2.929)
<b>Performance</b>					
Power-to-weight ratio		kg/kW	16.4 (16.5)	12.8 (12.9)	10.9 (11.0)
Output per litre		kW	52.6	67.7	80.2
Acceleration	0–100 km/h	sec	10.1 (10.0)	8.3 (8.2)	7.2 (7.1)
	0–1000 m	sec	31.7 (31.6)	29.3 (29.4)	27.9 (27.9)
in 4th gear	80–120 km/h	sec	8.2 / 10.2 (–)	7.1 / 9.1 (–)	6.1 / 7.7 (–)
Top speed		km/h	206 (205)	227 (224)	240 (237)
<b>BMW EfficientDynamics</b>					
BMW EfficientDynamics, standard features	Brake Energy Regeneration with recuperation display, Auto Start Stop function, gearshift point indicator (on manual gearbox models), ECO PRO mode with coasting function (on automatic models), intelligent lightweight construction, on-demand operation of ancillary units, air flap control, Electric Power Steering (EPS), detachable a/c compressor, tyres with reduced roll resistance, BMW BluePerformance technology				
<b>Fuel Consumption EU<sup>3)</sup></b>					
With standard wheels and tyres: 8J x 17 wheels, 225/55 R17 tyres (2K1)					
Urban		ltr/100 km	5,8 (5,7)	5,8 (5,7)	6,2 (5,8)
Extra-urban		ltr/100 km	4,3 (4,4)	4,4 (4,5)	4,6 (4,4)
Combined		ltr/100 km	4,8 (4,9)	4,9 (4,9)	5,2 (4,9)
CO <sub>2</sub>		g/km	127 (129)	129 (129)	136 (129)
With 8J x 18 wheels and 245/45 R18 tyres and with winter tyres (2HM, 2K2, 2DD, 2AK, 2NA, 931)					
Urban		ltr/100 km	6.0 (6.0)	6.1 (5.9)	6.4 (6.1)
Extra-urban		ltr/100 km	4.5 (4.6)	4.6 (4.6)	4.7 (4.6)
Combined		ltr/100 km	5.0 (5.1)	5.1 (5.1)	5.4 (5.1)
CO <sub>2</sub>		g/km	132 (134)	134 (134)	141 (134)
With 8,5J x 19 wheels and 245/40 R19 tyres (2K4, 2WD, 2M3, 2NB)					
Urban		ltr/100 km	6.2 (6.2)	6.3 (6.1)	6.6 (6.3)
Extra-urban		ltr/100 km	4.6 (4.8)	4.7 (4.8)	4.9 (4.7)
Combined		ltr/100 km	5.2 (5.3)	5.3 (5.3)	5.6 (5.3)
CO <sub>2</sub>		g/km	137 (139)	139 (139)	146 (139)
Emission rating			EU6	EU6	EU6
<b>Insurance Category (Germany)</b>					
			<sup>4)</sup>	<sup>4)</sup>	<sup>4)</sup>
KH / VK / TK					

Specifications applicable to ACEA markets, data relevant to homologation applicable in part only to Germany (weight)  
 Figures in brackets apply to automatic transmission models  
 All technical data are provisional

<sup>1)</sup> Height with roof aerial: 1475 mm

<sup>2)</sup> Oil change

<sup>3)</sup> Fuel consumption and CO<sub>2</sub> emissions depend on the selected tyre format

<sup>4)</sup> Data not yet available

# BMW 530d Touring, BMW 535d Touring.

	<b>BMW 530d Touring</b>		<b>BMW 535d Touring</b>
<b>Body</b>			
No of doors/seats		5 / 5	5 / 5
Length/width/height <sup>1)</sup> (unladen)	mm	4907 / 1860 / 1462	4907 / 1860 / 1462
Wheelbase	mm	2968	2968
Track, front/rear	mm	1600 / 1626	1600 / 1626
Ground clearance	mm	141	141
Turning circle	m	12.0	12.0
Tank capacity	app ltr	70	70
Cooling system incl heater	ltr	8.0	8.0
Engine oil <sup>2)</sup>	ltr	7.2	7.2
Weight, unladen, to DIN/EU	kg	1820 / 1895	1850 / 1925
Max load to DIN	kg	650	650
Max permissible	kg	2470	2500
Max axle load, front/rear	kg	1125 / 1400	1140 / 1415
Max trailer load (12%), braked/unbraked	kg	2000 / 750	2000 / 750
Max roofload/max towbar dwl	kg	100 / 90	100 / 90
Luggage comp capacity	ltr	560-1670	560-1670
Air resistance	C <sub>d</sub> x A	<sup>4)</sup> x 2.35	<sup>4)</sup> x 2.35
<b>Engine</b>			
Config/No of cyls/valves		Straight-six / 4	Straight-six / 4
Engine technology		Variable-geometry turbocharger, Common Rail direct injection with piezo injectors (max. pressure: 1800 bar)	BMW TwinPower Turbo technology with multi-stage variable-geometry high-pressure turbocharger, Common Rail direct injection with piezo injectors (max. injection pressure 2000 bar)
Capacity, effective	cc	2993	2993
Stroke / bore	mm	90.0 / 84.0	90.0 / 84.0
Compression ratio	:1	16.5	16.5
Fuel grade		Diesel	Diesel
Max output	kW/hp	180 / 245	220 / 300
at	rpm	4000	4400
Max torque	Nm	560	600
at	rpm	1750-3000	1750
<b>Electrical System</b>			
Battery/installation	Ah/-	90 / luggage comp	90 / luggage comp
Alternator	A/W	180 / 2520	180 / 2520
<b>Driving Dynamics and Safety</b>			
Suspension, front		Double track control arm axle with separate lower track arm level, aluminium, small steering roll radius, anti-dive	
Suspension, rear		Double track control arm axle with separate lower track arm level, aluminium, small steering roll radius, anti-dive, air suspension with automatic self-levelling	
Brakes, front		Single-piston aluminium swing-calliper disc brakes in frame structure	
Diameter	mm	348 x 30 / inner-vented	348 x 36 / inner-vented
Brakes, rear		Single-piston swing-calliper disc brakes	
Diameter	mm	330 x 20 / inner-vented	345 x 24 / inner-vented
Driving stability systems		Standard: DSC incl ABS and DTC Dynamic Traction Control, CBC Cornering Brake Control, DBC Dynamic Brake Control, Dry Braking function, Fading Compensation, Start-Off Assistant; optional: Adaptive Drive	
Safety equipment		Standard: airbags for driver and front passenger, side airbags for driver and front passenger, head airbags for front and rear seats, three-point inertia-reel belts on all seats with belt stopper, belt tightener and belt force limiter at the front, crash-activated headrests at the front, crash sensors, Tyre Defect Indicator	
Steering		Electric Power Steering (EPS) with Servotronic; optional: Integral Active Steering	
Steering transmission, overall	:1	17.1	17.1
Tyres, front/rear		225/55 R17 97Y	225/55 R17 97Y
Rims, front/rear		8J x 17 light-alloy	8J x 17 light-alloy



		<b>BMW 530d Touring</b>	<b>BMW 535d Touring</b>
<b>Transmission</b>			
Type of gearbox	Eight-speed automatic with Steptronic		
Gear ratios	I	4.714	4.714
	II	3.143	3.143
	III	2.106	2.106
	IV	1.667	1.667
	V	1.285	1.285
	VI	1.000	1.000
	VII	0.839	0.839
	VIII	0.667	0.667
	R	3.317	3.317
Final drive		2.471	2.647
<b>Performance</b>			
Power-to-weight ratio	kg/kW	9.6	8.0
Output per litre	kW/hp	63.5	76.8
Acceleration	0–100 km/h	sec	5.9
	0–1000 m	sec	24.8
in 4th gear	80–120 km/h	sec	–
Top speed	km/h	250	250
<b>BMW EfficientDynamics</b>			
BMW EfficientDynamics, standard features	Brake Energy Regeneration with recuperation display, Auto Start Stop function, ECO PRO mode with coasting function, intelligent lightweight construction, on-demand operation of ancillary units, air flap control, Electric Power Steering (EPS), detachable a/c compressor, tyres with reduced roll resistance, BMW BluePerformance technology		
<b>Fuel Consumption EU<sup>3)</sup></b>			
With standard tyres: wheels 8J x 17, tyres 225/55 R17			
Urban	ltr/100 km	6.2	6.5
Extra-urban	ltr/100 km	4.7	4.9
Combined	ltr/100 km	5.3	5.5
CO <sub>2</sub>	g/km	139	144
With 8J x 18 wheels and 245/45 R18 tyres or winter tyres			
Urban	ltr/100 km	6.5	6.7
Extra-urban	ltr/100 km	4.9	5.1
Combined	ltr/100 km	5.5	5.7
CO <sub>2</sub>	g/km	144	149
With 8.5J x 19 wheels and 245/40 R19 tyres			
Urban	l/100 km	6.7	7.0
Extra-urban	l/100 km	5.1	5.2
Combined	l/100 km	5.7	5.9
CO <sub>2</sub>	g/km	149	154
Emission rating		EU6	EU6
<b>Insurance Category (Germany)</b>			
KH / VK / TK		4)	4)

Specifications applicable to ACEA markets, data relevant to homologation applicable in part only to Germany (weight)  
All technical data are provisional

<sup>1)</sup> Height with roof aerial: 1475 mm

<sup>2)</sup> Oil change

<sup>3)</sup> Fuel consumption and CO<sub>2</sub> emissions depend on the selected tyre format

<sup>4)</sup> Data not yet available

# BMW 528i xDrive Touring, BMW 535i xDrive Touring.

	<b>BMW 528i xDrive Touring</b>	<b>BMW 535i xDrive Touring</b>
<b>Body</b>		
No of doors/seats	5 / 5	5 / 5
Length/width/height <sup>1)</sup> (unladen) mm	4907 / 1860 / 1462	4907 / 1860 / 1462
Wheelbase mm	2968	2968
Track, front/rear mm	1600 / 1626	1600 / 1626
Ground clearance mm	141	141
Turning circle m	12.1	12.1
Tank capacity app	70	70
Cooling system incl heater ltr	9.3	10.1
Engine oil <sup>2)</sup> ltr	5,75	6,5
Weight, unladen, to DIN/EU kg	1815 / 1890	1865 / 1940
Max load to DIN kg	640	640
Max permissible kg	2455	2505
Max axle load, front/rear kg	1100 / 1420	1140 / 1415
Max trailer load (12%), braked/unbraked kg	2000 / 750	2000 / 750
Max roofload/max towbar dwl kg	100 / 90	100 / 90
Luggage comp capacity ltr	560–1670	560–1670
Air resistance Cd	<sup>4)</sup> x 2.35	<sup>4)</sup> x 2.35
<b>Engine</b>		
Config/No of cyls/valves	Straight-four / 4	Straight-six / 4
Engine technology	BMW TwinPower Turbo with Twin-Scroll turbocharger, direct injection (High Precision Injection) and fully variable valve control (VALVETRONIC)	BMW TwinPower Turbo with Twin-Scroll turbocharger, direct injection (High Precision Injection) and fully variable valve control (VALVETRONIC)
Capacity, effective cc	1997	2979
Stroke / bore mm	90.1 / 84.0	89.6 / 84.0
Compression ratio	:1	10.2
Fuel grade	Min RON 91	Min RON 91
Max output kW/	180 / 245	225 / 306
at rpm	5000–6500	5800 – 6000
Max torque Nm	350	400
at rpm	1250–4800	1200 – 5000
<b>Electrical System</b>		
Battery/installation Ah/	90 / luggage comp	90 / luggage comp
Alternator A/W	170 / 2380	210 / 2940
<b>Driving Dynamics and Safety</b>		
Suspension, front	Double track control arm axle with separate lower track arm level, aluminium, small steering roll radius, anti-dive	
Suspension, rear	Integral-V multi-arm axle, aluminium, anti-squat and anti-dive, double acoustic separation, air suspension with automatic self-levelling	
Brakes, front	Single-piston aluminium swing-calliper disc brakes in frame structure	
Diameter mm	330 x 24 / inner-vented	348 x 36 / inner-vented
Brakes, rear	Single-piston swing-calliper disc brakes	
Diameter mm	330 x 20 / inner-vented	345 x 24 / inner-vented
Driving stability systems	Standard: DSC incl ABS and Dynamic Traction Control (DTC), Cornering Brake Control (CBC), Dynamic Brake Control (DBC), Dry Braking function, Fading Compensation, Start-Off Assistant, linked to xDrive all-wheel-drive system in Integrated Chassis Management (ICM); optional: Dynamic Damper Control, Adaptive Drive (BMW 535i xDrive)	
Safety equipment	Standard: airbags for driver and front passenger, side airbags for driver and front passenger, head airbags for front and rear seats, three-point inertia-reel belts on all seats with belt stopper, belt tightener and belt force limiter at the front, crash-activated headrests at the front, crash sensors, Tyre Defect Indicator	
Steering	Hydraulic rack-and-pinion power steering with Servotronic	
Steering transmission, overall	:1	17.9
Tyres, front/rear	225/55 R17 97Y	225/55 R17 97Y
Rims, front/rear	8J x 17 light-alloy	8J x 17 light-alloy

			<b>BMW 528i xDrive Touring</b>	<b>BMW 535i xDrive Touring</b>
<b>Transmission</b>				
Type of gearbox	Eight-speed automatic with Steptronic			
Gear ratios	I	:1	4.714	4.714
	II	:1	3.143	3.143
	III	:1	2.106	2.106
	IV	:1	1.667	1.667
	V	:1	1.285	1.285
	VI	:1	1.000	1.000
	VII	:1	0.839	0.839
	VIII	:1	0.667	0.667
	R	:1	3.295	3.295
Final drive		:1	3.231	3.231
<b>Performance</b>				
Power-to-weight ratio	kg/kW		10.1	8.3
Output per litre	kW		90.1	75.5
Acceleration	0–100 km/h	sec	6.6	5.7
	0–1000 m	sec	27.0	25.9
in 4th gear	80–120 km/h	sec	–	–
Top speed	km/h		244	250
<b>BMW EfficientDynamics</b>				
BMW EfficientDynamics, standard features	Brake Energy Regeneration with recuperation display, Auto Start Stop function, ECO PRO mode with coasting function, intelligent lightweight construction, on-demand operation of ancillary units, air flap control, map-controlled oil pump, detachable a/c compressor, efficiency-optimised rear differential and power divider, tyres with reduced roll resistance			
<b>Fuel Consumption EU<sup>3)</sup></b>				
With standard wheels and tyres: 8J x 17 wheels, 225/55 R17 tyres (2K1)				
Urban	ltr/100 km		8.4	11.1
Extra-urban	ltr/100 km		5.2	6.3
Combined	ltr/100 km		6.4	8.1
CO <sub>2</sub>	g/km		149	188
With 8J x 18 wheels and 245/45 R18 tyres and with winter tyres (2HM, 2K2, 2DD, 2AK, 2NA, 931)				
Urban	ltr/100 km		8.7	11.4
Extra-urban	ltr/100 km		5.4	6.5
Combined	ltr/100 km		6.6	8.3
CO <sub>2</sub>	g/km		154	193
With 8,5J x 19 wheels and 245/40 R19 tyres (2K4, 2WD, 2M3, 2NB)				
Urban	ltr/100 km		9.0	11.7
Extra-urban	ltr/100 km		5.6	6.6
Combined	ltr/100 km		6.8	8.5
CO <sub>2</sub>	g/km		159	198
Emission rating			EU6	EU6
<b>Insurance Category (Germany)</b>				
KH / VK / TK			<sup>4)</sup>	<sup>4)</sup>

Specifications applicable to ACEA markets, data relevant to homologation applicable in part only to Germany (weight)  
All technical data are provisional

<sup>1)</sup> Height with roof aerial: 1475 mm

<sup>2)</sup> Oil change

<sup>3)</sup> Fuel consumption and CO<sub>2</sub> emissions depend on the selected tyre format

<sup>4)</sup> Data not yet available

# BMW 520d xDrive Touring, BMW 525d xDrive Touring.

		<b>BMW 520d xDrive Touring</b>	<b>BMW 525d xDrive Touring</b>
<b>Body</b>			
No of doors/seats		5 / 5	5 / 5
Length/width/height <sup>1)</sup> (unladen)	mm	4907 / 1860 / 1462	4907 / 1860 / 1462
Wheelbase	mm	2968	2968
Track, front/rear	mm	1600 / 1626	1600 / 1626
Ground clearance	mm	141	141
Turning circle	m	12.1	12.1
Tank capacity	app ltr	70	70
Cooling system incl heater	ltr	7.0	7.0
Engine oil <sup>2)</sup>	ltr	5.2	5.2
Weight, unladen, to DIN/EU	kg	1840 / 1915	1870 / 1945
Max load to DIN	kg	620	610
Max permissible	kg	2460	2480
Max axle load, front/rear	kg	1170 / 1420	1170 / 1420
Max trailer load (12%), braked/unbraked	kg	2000 / 750	2000 / 750
Max roofload/max towbar dwl	kg	100 / 90	100 / 90
Luggage comp capacity	ltr	560 – 1670	560 – 1670
Air resistance	Cd x A	<sup>4)</sup> x 2.35	<sup>4)</sup> x 2.35
<b>Engine</b>			
Config/No of cyls/valves		Straight-four / 4	Straight-four / 4
Engine technology		BMW TwinPower Turbo technology with variable-geometry turbocharger, Common Rail direct injection with solenoid valve injectors (max. injection pressure: 1800 bar)	BMW TwinPower Turbo technology with variable-geometry multi-stage high-pressure turbocharger, Common Rail direct injection with piezo injectors (max. injection pressure: 2000 bar)
Capacity, effective	cc	1995	1955
Stroke / bore	mm	90.0 / 84.0	90.0 / 84.0
Compression ratio	:1	16.5	16.5
Fuel grade		Diesel	Diesel
Max output	kW/hp	135 / 184	160 / 218
at	rpm	4000	4400
Max torque	Nm	380	450
at	rpm	1750	1500
<b>Electrical System</b>			
Battery/installation	Ah/–	90 / luggage comp	90 / luggage comp
Alternator	AW	180 / 2520	180 / 2520
<b>Driving Dynamics and Safety</b>			
Suspension, front		Double track control arm axle with separate lower track arm level, aluminium, small steering roll radius, anti-dive	
Suspension, rear		Integral-V multi-arm axle, aluminium, anti-squat and anti-dive, double acoustic separation, air suspension with automatic self-levelling	
Brakes, front		Single-piston aluminium swing-calliper disc brakes in frame structure	
Diameter	mm	330 x 24 / inner-vented	348 x 30 / inner-vented
Brakes, rear		Single-piston swing-calliper disc brakes	
Diameter	mm	330 x 20 / inner-vented	330 x 20 / inner-vented
Driving stability systems		Standard: DSC incl ABS and Dynamic Traction Control (DTC), Cornering Brake Control (CBC), Dynamic Brake Control (DBC), Dry Braking function, Fading Compensation, Start-Off Assistant, linked to xDrive all-wheel-drive system in Integrated Chassis Management (ICM); optional: Dynamic Damper Control	
Safety equipment		Standard: airbags for driver and front passenger, side airbags for driver and front passenger, head airbags for front and rear seats, three-point inertia-reel belts on all seats with belt stopper, belt tightener and belt force limiter at the front, crash-activated headrests at the front, crash sensors, Tyre Defect Indicator	
Steering		Hydraulic rack-and-pinion power steering with Servotronic	
Steering transmission, overall	:1	17.9	17.9
Tyres, front/rear		225/55 R17 97W	225/55 R17 97W
Rims, front/rear		8J x 17 light-alloy	8J x 17 light-alloy

<b>BMW 520d xDrive Touring</b>			<b>BMW 525d xDrive Touring</b>	
<b>Transmission</b>				
Type of gearbox	Eight-speed automatic with Steptronic			
Gear ratios	I	:1	4.714	4.714
	II	:1	3.143	3.143
	III	:1	2.106	2.106
	IV	:1	1.667	1.667
	V	:1	1.285	1.285
	VI	:1	1.000	1.000
	VII	:1	0.839	0.839
	VIII	:1	0.667	0.667
	R	:1	3.295	3.295
Final drive		:1	3.077	3.077
<b>Performance</b>				
Power-to-weight ratio	kg/kW		13.6	11.7
Output per litre	kW		67.7	80.2
Acceleration	0–100 km/h	sec	8.4	7.3
	0–1000 m	sec	29.9	28.2
in 4th gear	80–120 km/h	sec	–	–
Top speed	km/h		218	231
<b>BMW EfficientDynamics</b>				
BMW EfficientDynamics, standard features	Brake Energy Regeneration with recuperation display, Auto Start Stop function, ECO PRO mode with coasting function, intelligent lightweight construction, on-demand operation of ancillary units, air flap control, detachable a/c compressor, efficiency-optimised rear differential and power divider, tyres with reduced roll resistance, BMW BluePerformance technology			
<b>Fuel Consumption EU<sup>3)</sup></b>				
With standard wheels and tyres: 8J x 17 wheels, 225/55 R17 tyres (2K1)				
Urban	ltr/100 km		6.1	6.2
Extra-urban	ltr/100 km		4.7	4.9
Combined	ltr/100 km		5.2	5.4
CO <sub>2</sub>	g/km		138	142
With 8J x 18 wheels and 245/45 R18 tyres and with winter tyres (2HM, 2K2, 2DD, 2AK, 2NA, 931)				
Urban	ltr/100 km		6.4	6.5
Extra-urban	ltr/100 km		4.9	5.1
Combined	ltr/100 km		5.4	5.6
CO <sub>2</sub>	g/km		143	147
With 8,5J x 19 wheels and 245/40 R19 tyres (2K4, 2WD, 2M3, 2NB)				
Urban	ltr/100 km		6.6	6.7
Extra-urban	ltr/100 km		5.1	5.3
Combined	ltr/100 km		5.6	5.8
CO <sub>2</sub>	g/km		148	152
Emission rating			EU6	EU6
<b>Insurance Category (Germany)</b>				
KH / VK / TK			4)	4)

Specifications applicable to ACEA markets, data relevant to homologation applicable in part only to Germany (weight)  
All technical data are provisional

<sup>1)</sup> Height with roof aerial: 1475 mm

<sup>2)</sup> Oil change

<sup>3)</sup> Fuel consumption and CO<sub>2</sub> emissions depend on the selected tyre format

<sup>4)</sup> Data not yet available

# BMW 530d xDrive Touring, BMW 535d xDrive Touring.

		BMW 530d xDrive Touring	BMW 535d xDrive Touring
<b>Body</b>			
No of doors/seats		5 / 5	5 / 5
Length/width/height <sup>1)</sup> (unladen)	mm	4907 / 1860 / 1462	4907 / 1860 / 1462
Wheelbase	mm	2968	2968
Track, front/rear	mm	1600 / 1626	1600 / 1626
Ground clearance	mm	141	141
Turning circle	m	12.1	12.1
Tank capacity	app ltr	70	70
Cooling system incl heater	ltr	8.0	8.0
Engine oil <sup>2)</sup>	ltr	7.2	7.2
Weight, unladen, to DIN/EU	kg	1920 / 1995	1950 / 2025
Max load to DIN	kg	610	600
Max permissible	kg	2530	2550
Max axle load, front/rear	kg	1160 / 1420	1200 / 1420
Max trailer load (12%), braked/unbraked	kg	2000 / 750	2000 / 750
Max roofload/max towbar dwl	kg	100 / 90	100 / 90
Luggage comp capacity	ltr	560 – 1670	560 – 1670
Air resistance	Cd x	<sup>4)</sup> x 2.35	<sup>4)</sup> x 2.35
<b>Engine</b>			
Config/No of cyls/valves		Straight-six / 4	Straight-six / 4
Engine technology		BMW TwinPower Turbo technology with variable-geometry turbocharger, Common Rail direct injection with solenoid valve injectors (max. injection pressure: 1800 bar)	BMW TwinPower Turbo technology with multi-stage variable-geometry high-pressure turbocharger, Common Rail direct injection with piezo injectors (max. injection pressure: 2000 bar)
Capacity, effective	cc	2993	2993
Stroke / bore	mm	90.0 / 84.0	90.0 / 84.0
Compression ratio	:1	16.5	16.5
Fuel grade		Diesel	Diesel
Max output	kW/hp	190 / 258	230 / 313
at	rpm	4000	4400
Max torque	Nm	560	630
at	rpm	1500-3000	1500-2500
<b>Electrical System</b>			
Battery/installation	Ah/–	90 / luggage comp	90 / luggage comp
Alternator	A/W	220 / 3080	220 / 3080
<b>Driving Dynamics and Safety</b>			
Suspension, front		Double track control arm axle with separate lower track arm level, aluminium, small steering roll radius, anti-dive	
Suspension, rear		Integral-V multi-arm axle, aluminium, anti-squat and anti-dive, double acoustic separation, air suspension with automatic self-levelling	
Brakes, front		Single-piston aluminium swing-calliper disc brakes in frame structure	
Diameter	mm	348 x 30 / inner-vented	348 x 36 / inner-vented
Brakes, rear		Single-piston swing-calliper disc brakes	
Diameter	mm	330 x 20 / inner-vented	345 x 24 / inner-vented
Driving stability systems		Standard: DSC incl ABS and Dynamic Traction Control (DTC), Cornering Brake Control (CBC), Dynamic Brake Control (DBC), Dry Braking function, Fading Compensation, Start-Off Assistant, linked to xDrive all-wheel-drive system in Integrated Chassis Management (ICM); optional: Dynamic Damper Control, Adaptive Drive	
Safety equipment		Standard: airbags for driver and front passenger, side airbags for driver and front passenger, head airbags for front and rear seats, three-point inertia-reel belts on all seats with belt stopper, belt tightener and belt force limiter at the front, crash-activated headrests at the front, crash sensors, Tyre Defect Indicator	
Steering		Hydraulic rack-and-pinion power steering with Servotronic	
Steering transmission, overall	:1	16.0	17.9
Tyres, front/rear		225/55 R17 97Y	225/55 R17 97Y
Rims, front/rear		8J x 17 light-alloy	8J x 17 light-alloy

<b>BMW 530d xDrive Touring</b>			<b>BMW 535d xDrive Touring</b>	
<b>Transmission</b>				
Type of gearbox	Eight-speed automatic with Steptronic			
Gear ratios	I	:1	4.714	4.714
	II	:1	3.143	3.143
	III	:1	2.106	2.106
	IV	:1	1.667	1.667
	V	:1	1.285	1.285
	VI	:1	1.000	1.000
	VII	:1	0.839	0.839
	VIII	:1	0.667	0.667
	R	:1	3.295	3.317
Final drive		:1	2.471	2.647
<b>Performance</b>				
Power-to-weight ratio	kg/kW		10.1	8.5
Output per litre	kW		63.5	76.8
Acceleration	0–100 km/h	sec	5.9	5.3
	0–1000 m	sec	26.5	25.0
in 4th gear	80–120 km/h	sec	–	–
Top speed	km/h		248	250
<b>BMW EfficientDynamics</b>				
BMW EfficientDynamics, standard features	Brake Energy Regeneration with recuperation display, Auto Start Stop function, ECO PRO mode with coasting function, intelligent lightweight construction, on-demand operation of ancillary units, air flap control, detachable a/c compressor, efficiency-optimised rear differential and power divider, tyres with reduced roll resistance, BMW BluePerformance technology			
<b>Fuel consumption EU<sup>3)</sup></b>				
With standard wheels and tyres: 8J x 17 wheels, 225/55 R17 tyres (2K1)				
Urban	ltr/100 km		6.7	7.1
Extra-urban	ltr/100 km		5.1	5.2
Combined	ltr/100 km		5.7	5.9
CO <sub>2</sub>	g/km		149	154
With 8J x 18 wheels and 245/45 R18 tyres and with winter tyres (2HM, 2K2, 2DD, 2AK, 2NA, 931)				
Urban	ltr/100 km		6.9	7.3
Extra-urban	ltr/100 km		5.2	5.3
Combined	ltr/100 km		5.9	6.0
CO <sub>2</sub>	g/km		154	159
With 8,5J x 19 wheels and 245/40 R19 tyres (2K4, 2WD, 2M3, 2NB)				
Urban	ltr/100 km		7.1	7.6
Extra-urban	ltr/100 km		5.4	5.5
Combined	ltr/100 km		6.0	6.2
CO <sub>2</sub>	g/km		159	164
Emission rating			EU6	EU6
<b>Insurance category (Germany)</b>				
KH / VK / TK			4)	4)

Specifications applicable to ACEA markets, data relevant to homologation applicable in part only to Germany (weight)  
All technical data are provisional

<sup>1)</sup> Height with roof aerial: 1488 mm

<sup>2)</sup> Oil change

<sup>3)</sup> Data not yet available

# BMW M550d xDrive Touring.

<b>BMW M550d xDrive Touring</b>		
<b>Body</b>		
No of doors/seats		5 / 5
Length/width/height <sup>1)</sup> (unladen)	mm	4910 / 1860 / 1462
Wheelbase	mm	2968
Track, front/rear	mm	1600 / 1626
Ground clearance	mm	141
Turning circle	m	12.1
Tank capacity	app ltr	70
Cooling system incl heater	ltr	12.6
Engine oil <sup>2)</sup>	ltr	6.5
Weight, unladen, to DIN/EU	kg	1990 / 2065
Max load to DIN	kg	580
Max permissible	kg	2570
Max axle load, front/rear	kg	1240 / 1450
Max trailer load (12%), braked/unbraked	kg	2000 / 750
Max roofload/max towbar dwl	kg	100 / 90
Luggage comp capacity	ltr	560 – 1670
Air resistance	Cd x A	<sup>4)</sup> x 2.35
<b>Engine</b>		
Config/No of cyls/valves		Straight-six / 4
Engine technology		M Performance TwinPower Turbo technology with three multi-stage variable-geometry turbochargers, Common Rail direct injection with piezo injectors (max. injection pressure: 2200 bar)
Capacity, effective	cc	2993
Stroke / bore	mm	90.0 / 84.0
Compression ratio	:1	16.0
Fuel grade		Diesel
Max output	kW/hp	280 / 381
at	rpm	4000 – 4400
Max torque	Nm	740
at	rpm	2000 – 3000
<b>Electrical System</b>		
Battery/installation	Ah/–	90 / luggage comp
Alternator	AW	220 / 3080
<b>Driving Dynamics and Safety</b>		
Suspension, front		Double track control arm axle with separate lower track arm level, aluminium, M-specific damping and suspension tuning, small steering roll radius, anti-dive
Suspension, rear		Integral-V multi-arm axle, aluminium, double acoustic separation, M-specific damping and suspension tuning, anti-squat and anti-dive, air suspension with automatic self-levelling
Brakes, front		Single-piston aluminium swing-calliper disc brakes in frame structure
Diameter	mm	374 x 36 / <u>inner-vented</u>
Brakes, rear		Single-piston swing-calliper disc brakes
Diameter	mm	345 x 24 / <u>inner-vented</u>
Driving stability systems		Standard: DSC incl ABS and Dynamic Traction Control (DTC), Cornering Brake Control (CBC), Dynamic Brake Control (DBC), Dry Braking function, Fading Compensation, Start-Off Assistant, linked to xDrive all-wheel-drive system in Integrated Chassis Management (ICM); optional: Adaptive Drive
Safety equipment		Standard: airbags for driver and front passenger, side airbags for driver and front passenger, head airbags for front and rear seats, three-point inertia-reel belts on all seats with belt tightener and belt force limiter at the front, crash-activated headrests at the front, crash sensors, run-flat tyres, Tyre Defect Indicator
Steering		Hydraulic rack-and-pinion power steering with M-specific Servotronic
Steering transmission, overall	:1	17.9
Tyres, front/rear		245/40 R19 98Y RSC
Rims, front/rear		8.5J x 19 light-alloy



**BMW M550d xDrive Touring**

**Transmission**

Type of gearbox			
Gear ratios	I	:1	4.714
	II	:1	3.143
	III	:1	2.106
	IV	:1	1.667
	V	:1	1.285
	VI	:1	1.000
	VII	:1	0.839
	VIII	:1	0.667
	R	:1	3.317
Final drive		:1	2.813

**Performance**

Power-to-weight ratio		kg/kW	7.1
Output per litre		kW	93,6
Acceleration	0–100 km/h	sec	4.9
	1000 metres	sec	24.1
in 4th gear	80–120 km/h	sec	–
Top speed		km/h	250

**BMW EfficientDynamics**

BMW EfficientDynamics, standard features	Brake Energy Regeneration with recuperation display, Auto Start Stop function, ECO PRO mode with coasting function, intelligent lightweight construction, on-demand operation of ancillary units, air flap control, detachable a/c compressor, efficiency-optimised rear differential and power divider, tyres with reduced roll resistance, BMW BluePerformance technology
--	---

**Fuel Consumption EU**

Urban	ltr/100 km	7.7
Extra-urban	ltr/100 km	5.5
Combined	ltr/100 km	6.3
CO <sub>2</sub>	g/km	166
Emission rating		EU6

**Insurance Category (Germany)**

KH / VK / TK	<sup>3)</sup>
--------------	---------------

Specifications applicable to ACEA markets, data relevant to homologation applicable in part only to Germany (weight)  
All technical data are provisional

<sup>1)</sup> Height with roof aerial: 1488 mm

<sup>2)</sup> Oil change

<sup>4)</sup> Data not yet available

# BMW 535i Gran Turismo, BMW 550i Gran Turismo.

		<b>BMW 535i Gran Turismo</b>	<b>BMW 550i Gran Turismo</b>
<b>Body</b>			
No of doors/seats		4 / 5	4 / 5
Length/width/height <sup>1)</sup> (unladen)	mm	5004 / 1901 / 1559	5004 / 1901 / 1559
Wheelbase	mm	3070	3070
Track, front/rear	mm	1611 / 1654	1621 / 1636
Ground clearance	mm	145	145
Turning circle	m	12.2	12.2
Tank capacity	app ltr	70	70
Cooling system incl heater	ltr	9.3	14.4
Engine oil <sup>2)</sup>	ltr	6.5	9.0
Weight, unladen, to DINEU	kg	1940 / 2015	2070 / 2145
Max load to DIN	kg	630	600
Max permissible	kg	2570	2670
Max axle load, front/rear	kg	1165 / 1490	1245 / 1500
Max trailer load (12%), braked/unbraked	kg	2100 / 750	2100 / 750
Max roofload/max towbar downl	kg	75 / 100	75 / 100
Luggage comp capacity	ltr	500 – 1700	500 – 1700
Air resistance	Cd x A	0.30 x 2.57	0.31 x 2.57
<b>Engine</b>			
Config/No of cyls/valves		Straight-six / 4	V8 / 4
Engine technology		BMW TwinPower Turbo technology with Twin-Scroll turbocharger, direct injection (High Precision Injection) and fully variable valve control (VALVETRONIC)	BMW TwinPower Turbo technology with two turbochargers, direct injection (High Precision Injection) and fully variable valve control (VALVETRONIC)
Capacity, effective	cc	2979	4395
Stroke / bore	mm	89.6 / 84.0	88.3 / 89.0
Compression ratio	:1	10.2	10.0
Fuel		Min RON 91	Min RON 91
Max output	kW/hp	235 / 306	330 / 450
at	rpm	5800 – 6000	5500 – 6000
Max torque	Nm	400	650
at	rpm	1200–5000	2000–4500
<b>Electrical System</b>			
Battery/location	Ah/–	90 / luggage comp	105 / luggage comp
Alternator	A/W	210 / 2940	210 / 2940
<b>Driving Dynamics and Safety</b>			
Suspension, front		Double track control arm axle with separate lower track arm level, aluminium, small steering roll radius, anti-dive	
Suspension, rear		Integral-V multi-arm axle, aluminium, with steering function, anti-squat and anti-dive, double acoustic separation, air suspension with automatic self-levelling	
Brakes, front		Single-piston floating-calliper disc brakes	
Brakes, rear		Single-piston floating-calliper disc brakes	
Driving stability systems		Standard: DSC incl ABS and Dynamic Traction Control (DTC), Cornering Brake Control (CBC), Dynamic Brake Control (DBC), Dry Braking, Fading Compensation, Start-Off Assistant; optional: Dynamic Damper Control, Adaptive Drive	
Safety equipment		Standard: airbags for driver and front passenger, side airbags for driver and front passenger, head airbags at the rear on the outer seats, three-point inertia-reel belts on all seats, belt stoppers and belt latch tensioners at the front, crash sensors, Tyre Defect Indicator	
Steering		Electric Power Steering (EPS) with Servotronic; optional: Integral Active Steering	
Steering transmission, overall	:1	19.1	19.1
Tyres, front/rear		245/50 R18 100Y RSC	245/45 R19 98Y RSC/ 275/40 R 19 101Y RSC
Rims, front/rear		8J x 18 light-alloy	8.5J x 19 light-alloy/ 9.5J x 19 light-alloy

		<b>BMW 535i Gran Turismo</b>	<b>BMW 550i Gran Turismo</b>	
<b>Transmission</b>				
Type of transmission		Eight-speed automatic transmission with Steptronic function		
Gear ratios	I	:1	4.714	4.714
	II	:1	3.143	3.143
	III	:1	2.106	2.106
	IV	:1	1.667	1.667
	V	:1	1.285	1.285
	VI	:1	1.000	1.000
	VII	:1	0.839	0.839
	VIII	:1	0.667	0.667
	R	:1	3.317	3.317
Final drive		:1	3.077	2.813
<b>Performance</b>				
Power-to-weight ratio (DIN)	kg/kW		8.6	6.3
Output per litre	kW		75.5	75.1
Acceleration	0-100 km/h	sec	6.1	5.0
	0-1000 m	sec	26.2	23.5
Top speed	km/h		250	250
<b>BMW EfficientDynamics</b>				
BMW EfficientDynamics, standard features		Brake Energy Regeneration with recuperation display, Auto Start Stop function, gearshift point indicator (on manual gearbox models), ECO PRO mode with coasting function (on automatic models), intelligent lightweight construction, on-demand operation of ancillary units, air flap control, Electric Power Steering (EPS), map-controlled oil pump, detachable a/c compressor, tyres with reduced roll resistance		
<b>Fuel Consumption EU</b>				
Urban	ltr/100 km		11.2	12.4
Extra-urban	ltr/100 km		6.5	7.3
Combined	ltr/100 km		8.2	9.2
CO <sub>2</sub>	g/km		192	214
Emission rating			EU6	EU6
<b>Insurance Category (Germany)</b>				
KH / VK / TK			<sup>3)</sup>	<sup>3)</sup>

Specifications applicable to ACEA markets/homologation data applicable in part only to Germany (weight), All technical data are provisional

<sup>1)</sup> Height with roof fin: 1564 mm

<sup>2)</sup> Oil change

<sup>3)</sup> Data not yet available

# BMW 520d Gran Turismo.

<b>BMW 520d Gran Turismo</b>		
<b>Body</b>		
No of doors/seats		4 / 5
Length/width/height <sup>1)</sup> (unladen)	mm	5004 / 1901 / 1559
Wheelbase	mm	3070
Track, front/rear	mm	1611 / 1654
Ground clearance	mm	145
Turning circle	m	12.2
Tank capacity	app ltr	70
Cooling system incl heater	ltr	8.4
Engine oil <sup>2)</sup>	ltr	5.2
Weight, unladen, to DIN/EU	kg	1915 / 1990
Max load to DIN	kg	630
Max permissible	kg	2545
Max axle load, front/rear	kg	1090 / 1500
Max trailer load (12%), braked/unbraked	kg	2100 / 750
Max roofload/max towbar downl	kg	75 / 100
Luggage comp capacity	ltr	500 – 1700
Air resistance	Cd x A	0.29 x 2.57
<b>Engine</b>		
Config/No of cyls/valves		Straight-four / 4
Engine technology		BMW TwinPower Turbo technology: Turbocharger with variable intake geometry, Common Rail direct injection with solenoid valve injectors (max. injection pressure: 1800 bar)
Capacity, effective	cc	1995
Stroke / bore	mm	90.0 / 84.0
Compression ratio	:1	16.5
Fuel		Diesel
Max output	kW/hp	135 / 184
at	rpm	4000
Max torque	Nm	380
at	rpm	1750
<b>Electrical System</b>		
Battery/location	Ah/–	105 / luggage comp
Alternator	A/W	180 / 2520
<b>Driving Dynamics and Safety</b>		
Suspension, front		Double track control arm axle with separate lower track arm level, aluminium, small steering roll radius, anti-dive
Suspension, rear		Integral-V multi-arm axle, aluminium, with steering function, anti-squat and anti-dive, double acoustic separation, air suspension with automatic self-levelling
Brakes, front		Single-piston floating-calliper disc brakes
Brakes, rear		Single-piston floating-calliper disc brakes
Driving stability systems		Standard: DSC incl ABS and DTC Dynamic Traction Control, CBC Cornering Brake Control, DBC Dynamic Brake Control, Dry Braking, Fading Compensation, Start-Off Assistant, optional: Dynamic Damper Control
Safety equipment		Standard: airbags for driver and front passenger, side airbags for driver and front passenger, head airbags at the rear on the outer seats, three-point inertia-reel seat belts on all seats, belt limiters and belt latch tensioners at the front, crash sensors, Tyre Defect Indicator
Steering		Electric Power Steering (EPS) with Servotronic; optional: Integral Active Steering
Steering transmission, overall	:1	19.1
Tyres, front/rear		245/50 R18 100Y
Rims, front/rear		8J x 18 light-alloy

**BMW 520d Gran Turismo**

**Transmission**

Type of transmission	Eight-speed automatic transmission with Steptronic		
Gear ratios	I	:1	4.714
	II	:1	3.143
	III	:1	2.106
	IV	:1	1.667
	V	:1	1.285
	VI	:1	1.000
	VII	:1	0.839
	VIII	:1	0.667
	R	:1	3.295
Final drive		:1	3.077

**Performance**

Power-to-weight ratio (DIN)	kg/kW	14.2	
Output per litre	kW	67.7	
Acceleration	0–100 km/h	sec	8.9
	0–1000 m	sec	29.9
Top speed	km/h	215	

**BMW EfficientDynamics**

BMW EfficientDynamics standard features	Brake Energy Regeneration with recuperation display, Auto Start Stop function, ECO PRO mode with coasting function, intelligent lightweight construction, on-demand operation of ancillary units, air flap control, Electric Power Steering (EPS), detachable a/c compressor, tyres with reduced roll resistance, BMW BluePerformance technology
---	--

**Fuel Consumption EU**

Urban	ltr/100 km	6.2
Extra-urban	ltr/100 km	5.0
Combined	ltr/100 km	5.5
CO <sub>2</sub>	g/km	144
Emission rating		EU6

**Insurance category (Germany)**

KH / VK / TK	<sup>3)</sup>
--------------	---------------

Specifications applicable to ACEA markets/homologation data applicable in part only to Germany (weight), All technical data are provisional

- <sup>1)</sup> Height with roof fin: 1564 mm
- <sup>2)</sup> Oil change
- <sup>3)</sup> Data not yet available

# BMW 530d Gran Turismo, BMW 535d Gran Turismo.

	<b>BMW 530d Gran Turismo</b>		<b>BMW 535d Gran Turismo</b>	
<b>Body</b>				
No of doors/seats		4 / 5		4 / 5
Length/width/height <sup>1)</sup> (unladen)	mm	5004 / 1901 / 1559		5004 / 1901 / 1559
Wheelbase	mm	3070		3070
Track, front/rear	mm	1611 / 1654		1611 / 1654
Ground clearance	mm	145		145
Turning circle	m	12.2		12.2
Tank capacity	app ltr	70		70
Cooling system incl heater	ltr	8.8		8.9
Engine oil <sup>2)</sup>	ltr	6.5		6.5
Weight, unladen, to DIN/EU	kg	1940 / 2015		1970 / 2045
Max load to DIN	kg	630		630
Max permissible	kg	2570		2600
Max axle load, front/rear	kg	1150 / 1500		1170 / 1500
Max trailer load (12%), braked/unbraked	kg	2100 / 750		2100 / 750
Max roofload/max towbar downl	kg	75 / 100		75 / 100
Luggage comp capacity	ltr	500 – 1700		500 – 1700
Air resistance	Cd x A	0.29 x 2.57		0.30 x 2.57
<b>Engine</b>				
Config/No of cyls/valves		Straight-six / 4		Straight-six / 4
Engine technology		BMW TwinPower Turbo technology: variable-intake turbocharger, Common Rail direct injection with solenoid valve injectors (max. injection pressure: 1800 bar)		BMW TwinPower Turbo technology: multi-stage variable-geometry high- pressure turbocharger, Common Rail direct injection with piezo injectors (max injection pressure: 2000 bar)
Capacity, effective	cc	2993		2993
Stroke / bore	mm	90.0 / 84.0		90.0 / 84.0
Compression ratio	:1	16.5		16.5
Fuel		Diesel		Diesel
Max output	kW/hp	190 / 258		230 / 313
at	rpm	4000		4400
Max torque	Nm	560		630
at	rpm	1500		1500
<b>Electrical System</b>				
Battery/location	Ah/–	105 / luggage comp		105 / luggage comp
Alternator	AW	180 / 2520		180 / 2520
<b>Driving Dynamics and Safety</b>				
Suspension, front		Double track control arm axle with separate lower track arm level, aluminium, small steering roll radius, anti-dive		
Suspension, rear		Integral-V multi-arm axle, aluminium, with steering function, anti-squat and anti-dive, double acoustic separation, air suspension with automatic self-levelling		
Brakes, front		Single-piston floating-calliper disc brakes		
Brakes, rear		Single-piston floating -calliper disc brakes		
Driving stability systems		Standard: DSC incl ABS and DTC Dynamic Traction Control, CBC Cornering Brake Control, DBC Dynamic Brake Control, Dry Braking, Fading Compensation, Start-Off Assistant, optional: Adaptive Drive incl Dynamic Damper Control and Dynamic Drive anti-roll stability management		
Safety equipment		Standard: airbags for driver and front passenger, side airbags for driver and front passenger, head airbags at the rear on the outer seats, three-point inertia-reel seat belts on all seats, belt limiters and belt latch tensioners at the front, crash sensors, Tyre Defect Indicator		
Steering		Electric Power Steering (EPS) with Servotronic; optional: Integral Active Steering		
Steering transmission, overall	:1	19.1		19.1
Tyres, front/rear		245/50 R18 100Y RSC		245/50 R18 100Y RSC
Rims, front/rear		8J x 18 light-alloy		8J x 18 light-alloy

		<b>BMW 530d Gran Turismo</b>	<b>BMW 535d Gran Turismo</b>
<b>Transmission</b>			
Type of transmission	Eight-speed automatic transmission with Steptronic		
Gear ratios	I	:1	4.714
	II	:1	3.143
	III	:1	2.106
	IV	:1	1.667
	V	:1	1.285
	VI	:1	1.000
	VII	:1	0.839
	VIII	:1	0.667
	R	:1	3.317
Final drive		:1	2.563
<b>Performance</b>			
Power-to-weight ratio (DIN)	kg/kW	10.2	8.6
Output per litre	kW	63.5	76.8
Acceleration	0–100 km/h	sec	6.2
	0–1000 m	sec	26.5
Top speed	km/h	246	250
<b>BMW EfficientDynamics</b>			
BMW EfficientDynamics standard features	Brake Energy Regeneration with recuperation display, Auto Start Stop function, ECO PRO mode with coasting function, intelligent lightweight construction, on-demand operation of ancillary units, air flap control, Electric Power Steering (EPS), detachable a/c compressor, tyres with reduced roll resistance, BMW BluePerformance technology		
<b>Fuel Consumption EU</b>			
Urban	ltr/100 km	6.8	6.8
Extra-urban	ltr/100 km	5.2	5.3
Combined	ltr/100 km	5.8	5.9
CO <sub>2</sub>	g/km	153	154
Emission rating		EU6	EU6
<b>Insurance category (Germany)</b>			
KH / VK / TK			<sup>3)</sup>

Specifications applicable to ACEA markets/homologation data applicable in part only to Germany (weight), All technical data are provisional

<sup>1)</sup> Height with roof aerial: 1564 mm

<sup>2)</sup> Oil change

<sup>3)</sup> Data not yet available

# BMW 535i xDrive Gran Turismo, BMW 550i xDrive Gran Turismo.

	<b>BMW 535i xDrive Gran Turismo</b>		<b>BMW xDrive 550i Gran Turismo</b>
<b>Body</b>			
No of doors/seats		4 / 5	4 / 5
Length/width/height <sup>1)</sup> (unladen)	mm	5004 / 1901 / 1559	5004 / 1901 / 1559
Wheelbase	mm	3070	3070
Track, front/rear	mm	1611 / 1654	1621 / 1636
Ground clearance	mm	145	145
Turning circle	m	12.5	12.5
Tank capacity	app ltr	70	70
Cooling system incl heater	ltr	9.3	14.4
Engine oil <sup>2)</sup>	ltr	6.5	9.0
Weight, unladen, to DINEU	kg	1995 / 2070	2140 / 2215
Max load to DIN	kg	630	590
Max permissible	kg	2625	2730
Max axle load, front/rear	kg	1200 / 1500	1290 / 1500
Max trailer load (12%), braked/unbraked	kg	2100 / 750	2100 / 750
Max roofload/max towbar downl	kg	75 / 100	75 / 100
Luggage comp capacity	ltr	500 – 1700	500 – 1700
Air resistance	Cd x A	0.31 x 2.57	0.31 x 2.57
<b>Engine</b>			
Config/No of cyls/valves		Straight-six / 4	V8 / 4
Engine technology		BMW TwinPower Turbo technology with Twin-Scroll turbocharger, direct injection (High Precision Injection) and fully variable valve control (VALVETRONIC)	BMW TwinPower Turbo technology with two turbochargers, direct injection (High Precision Injection) and fully variable valve control (VALVETRONIC)
Capacity, effective	cc	2979	4395
Stroke / bore	mm	89.6 / 84.0	88.3 / 89.0
Compression ratio	:1	10,2	10,0
Fuel		Min RON 91	Min RON 91
Max output	kW/hp	225 / 306	330 / 450
at	rpm	5800 – 6000	5500 – 6000
Max torque	Nm	400	650
at	rpm	1200 – 5000	2000 – 4500
<b>Electrical System</b>			
Battery/location	Ah/–	90 / luggage comp	105 / luggage comp
Alternator	AW	210 / 2940	210 / 2940
<b>Driving Dynamics and Safety</b>			
Suspension, front		Double track control arm axle with separate lower track arm level, aluminium, small steering roll radius, anti-dive	
Suspension, rear		Integral-V multi-arm axle, aluminium, with steering function, anti-squat and anti-dive, double acoustic separation, air suspension with automatic self-levelling	
Brakes, front		Single-piston floating-calliper disc brakes	
Brakes, rear		Single-piston floating-calliper disc brakes	
Driving stability systems		Standard: DSC incl ABS and Dynamic Traction Control (DTC), Cornering Brake Control (CBC), Dynamic Brake Control (DBC), Dry Braking, Fading Compensation, Start-Off Assistant; optional: Dynamic Damper Control, Adaptive Drive	
Safety equipment		Standard: airbags for driver and front passenger, side airbags for driver and front passenger, head airbags at the rear on the outer seats, three-point inertia-reel belts on all seats, belt stoppers and belt latch tensioners at the front, crash sensors, Tyre Defect Indicator	
Steering		Hydraulic rack-and-pinion steering with Servotronic	
Steering transmission, overall	:1	19.1	19.1
Tyres, front/rear		245/50 R18 100Y RSC	245/45 R19 98Y RSC/ 275/40 R19 101Y RSC
Rims, front/rear		8J x 18 light-alloy	8.5J x 19 light-alloy/ 9.5J x19 light-alloy



		<b>BMW 535i xDrive Gran Turismo</b>	<b>BMW 550i xDrive Gran Turismo</b>	
<b>Transmission</b>				
Type of transmission		Eight-speed automatic transmission with Steptronic function		
Gear ratios	I	:1	4.714	4.714
	II	:1	3.143	3.143
	III	:1	2.106	2.106
	IV	:1	1.667	1.667
	V	:1	1.285	1.285
	VI	:1	1.000	1.000
	VII	:1	0.839	0.839
	VIII	:1	0.667	0.667
	R	:1	3.295	3.317
Final drive		:1	3.077	2.813
<b>Performance</b>				
Power-to-weight ratio (DIN)	kg/kW		8.9	6.5
Output per litre	kW		75.5	75.1
Acceleration	0-100 km/h	sec	6.1	4.8
	0-1000 m	sec	26.4	23.5
Top speed	km/h		-	-
<b>BMW EfficientDynamics</b>				
BMW EfficientDynamics, standard features	Brake Energy Regeneration with recuperation display, Auto Start Stop function, gearshift point indicator (on manual gearbox models), ECO PRO mode with coasting function (on automatic models), intelligent lightweight construction, on-demand operation of ancillary units, air flap control, map-controlled oil pump, detachable a/c compressor, efficiency-optimised rear differential and power divider			
<b>Fuel Consumption EU</b>				
Urban	ltr/100 km		11.7	13.0
Extra-urban	ltr/100 km		6.7	7.7
Combined	ltr/100 km		8.5	9.6
CO <sub>2</sub>	g/km		199	224
Emission rating			EU6	EU6
<b>Insurance Category (Germany)</b>				
			<sup>3)</sup>	<sup>3)</sup>

Specifications applicable to ACEA markets/homologation data applicable in part only to Germany (weight)  
All technical data are provisional

<sup>1)</sup> Height with roof fin: 1564 mm

<sup>2)</sup> Oil change

<sup>3)</sup> Data not yet available

# BMW 530d xDrive Gran Turismo, BMW 535d xDrive Gran Turismo.

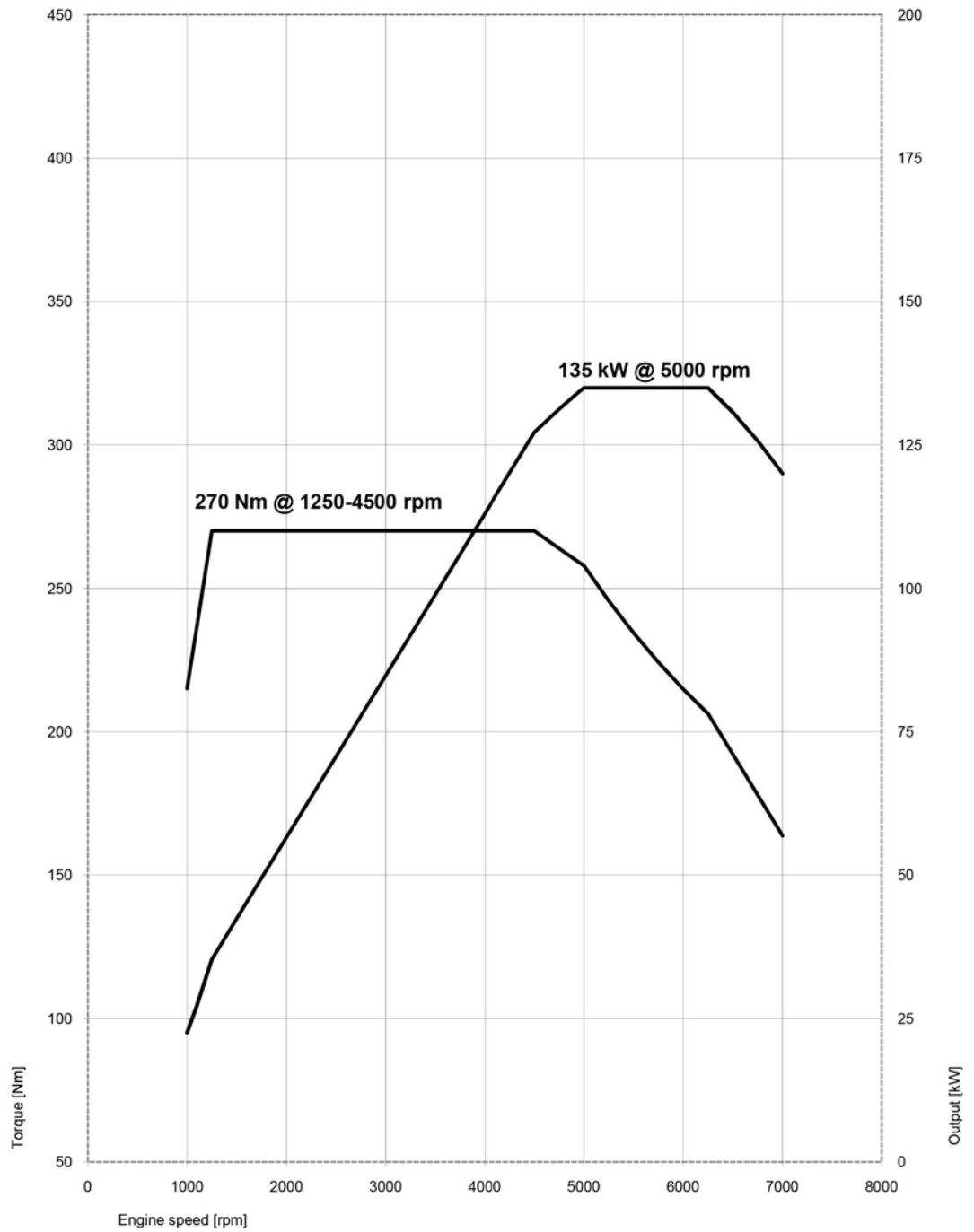
		<b>BMW 530d xDrive Gran Turismo</b>	<b>BMW 535d xDrive Gran Turismo</b>
<b>Body</b>			
No of doors/seats		4 / 5	4 / 5
Length/width/height <sup>1)</sup> (unladen)	mm	5004 / 1901 / 1559	5004 / 1901 / 1559
Wheelbase	mm	3070	3070
Track, front/rear	mm	1611 / 1654	1611 / 1654
Ground clearance	mm	145	145
Turning circle	m	12.2	12.2
Tank capacity	app ltr	70	70
Cooling system incl heater	ltr	8.8	8.9
Engine oil <sup>2)</sup>	ltr	6.5	6.5
Weight, unladen, to DIN/EU	kg	1940 / 2015	1970 / 2045
Max load to DIN	kg	630	630
Max permissible	kg	2570	2600
Max axle load, front/rear	kg	1150 / 1500	1170 / 1500
Max trailer load (12%), braked/unbraked	kg	2100 / 750	2100 / 750
Max roofload/max towbar downl	kg	75 / 100	75 / 100
Luggage comp capacity	ltr	500 – 1700	500 – 1700
Air resistance	Cd x A	0.29 x 2.57	0.30 x 2.57
<b>Engine</b>			
Config/No of cyls/valves		Straight-six / 4	Straight-six / 4
Engine technology		BMW TwinPower Turbo technology: variable-geometry turbocharger, Common Rail direct injection with solenoid valve injectors (max. injection pressure: 1800 bar)	BMW TwinPower Turbo technology with variable-geometry multi-stage high-pressure turbocharger, Common Rail direct injection with piezo injectors (max. injection pressure: 2000 bar)
Capacity, effective	cc	2993	2993
Stroke / bore	mm	90.0 / 84.0	90.0 / 84.0
Compression ratio	:1	16.5	16.5
Fuel		Diesel	Diesel
Max output	kW/hp	190 / 258	230 / 313
at	rpm	4000	4400
Max torque	Nm	560	630
at	rpm	1500	1500
<b>Electrical System</b>			
Battery/location	Ah/-	105 / luggage comp	105 / luggage comp
Alternator	A/W	180 / 2520	180 / 2520
<b>Driving Dynamics and Safety</b>			
Suspension, front		Double track control arm axle with separate lower track arm level, aluminium, small steering roll radius, anti-dive	
Suspension, rear		Integral-V multi-arm axle, aluminium, anti-squat and anti-dive, double acoustic separation, air suspension with automatic self-levelling	
Brakes, front		Single-piston floating-calliper disc brakes	
Brakes, rear		Single-piston floating-calliper disc brakes	
Driving stability systems		Standard: DSC incl ABS and DTC Dynamic Traction Control, CBC Cornering Brake Control, DBC Dynamic Brake Control, Dry Braking, Fading Compensation, Start-Off Assistant, networked with xDrive all-wheel-drive system in ICM Integrated Chassis Management; optional: Adaptive Drive incl Dynamic Damper Control and Dynamic Drive anti-roll stability management	
Safety equipment		Standard: airbags for driver and front passenger, side airbags for driver and front passenger, head airbags at the rear on the outer seats, three-point inertia-reel seat belts on all seats, belt limiters and belt latch tensioners at the front, crash sensors, Tyre Defect Indicator	
Steering		Electric Power Steering (EPS) with Servotronic	
Steering transmission, overall	:1	19.1	19.1
Tyres, front/rear		245/50 R18 100Y RSC	245/50 R18 100Y RSC
Rims, front/rear		8J x 18 light-alloy	8J x 18 light-alloy

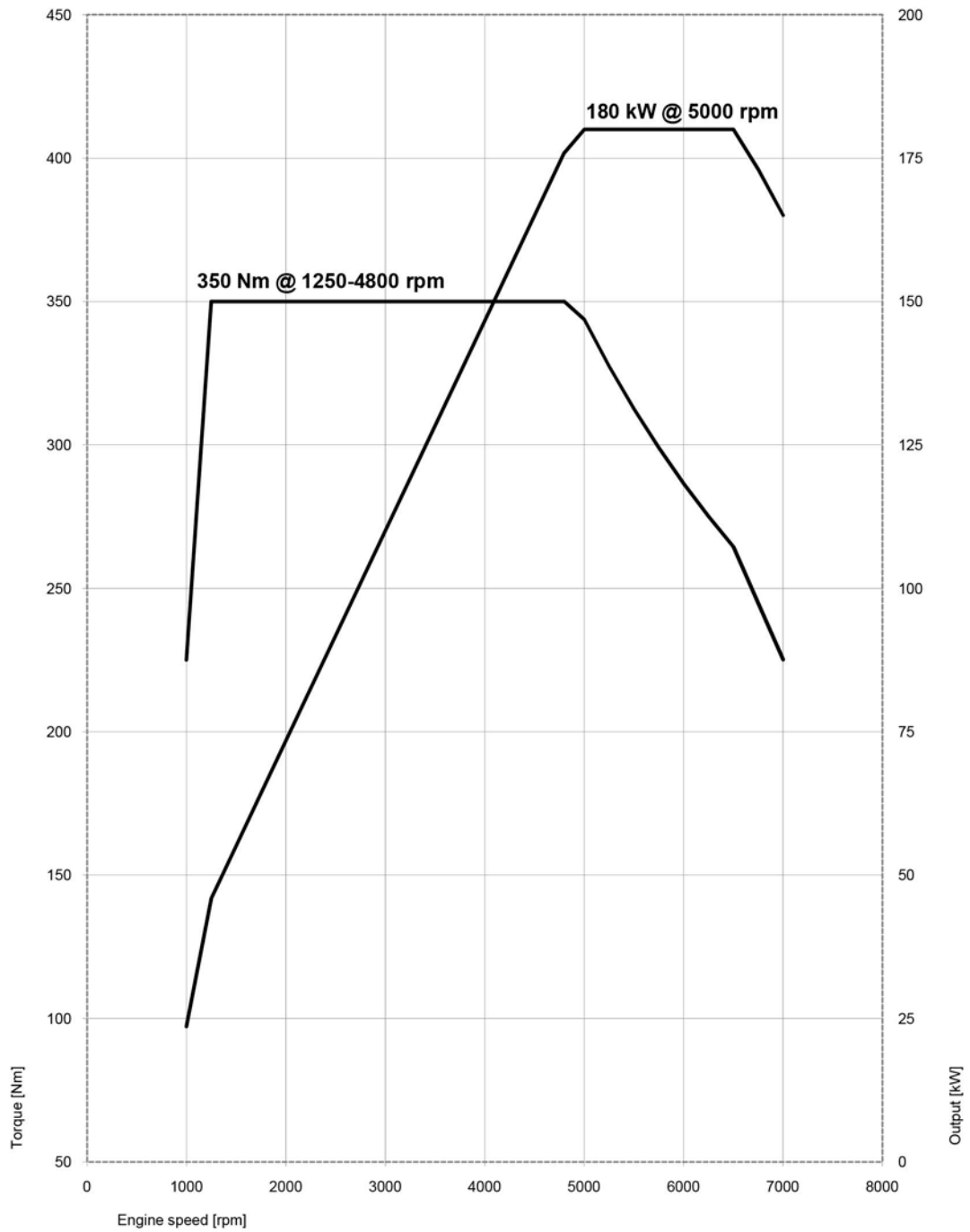
		<b>BMW 530d xDrive Gran Turismo</b>	<b>BMW 535d xDrive Gran Turismo</b>
<b>Transmission</b>			
Type of transmission	Eight-speed automatic transmission with Steptronic function		
Gear ratios	I	:1	4.714
	II	:1	3.143
	III	:1	2.106
	IV	:1	1.667
	V	:1	1.285
	VI	:1	1.000
	VII	:1	0.839
	VIII	:1	0.667
	R	:1	3.317
Final drive		:1	2.563
<b>Performance</b>			
Power-to-weight ratio (DIN)	kg/kW	10.6	8.9
Output per litre	kW	63.5	76.8
Acceleration	0–100 km/h	sec	6.2
	0–1000 m	sec	26.6
Top speed	km/h	246	250
<b>BMW EfficientDynamics</b>			
BMW EfficientDynamics, standard features	Brake Energy Regeneration with recuperation display, Auto Start Stop function, ECO PRO mode with coasting function, intelligent lightweight construction, on-demand operation of ancillary units, air flap control, Electric Power Steering (EPS), detachable a/c compressor, tyres with reduced roll resistance, BMW BluePerformance technology		
<b>Fuel Consumption EU</b>			
Urban	ltr/100 km	6.8	6.8
Extra-urban	ltr/100 km	5.2	5.3
Combined	ltr/100 km	5.8	5.9
CO <sub>2</sub>	g/km	153	154
Emission rating		EU6	EU6
<b>Insurance Category (Germany)</b>			
KH / VK / TK		<sup>3)</sup>	<sup>3)</sup>

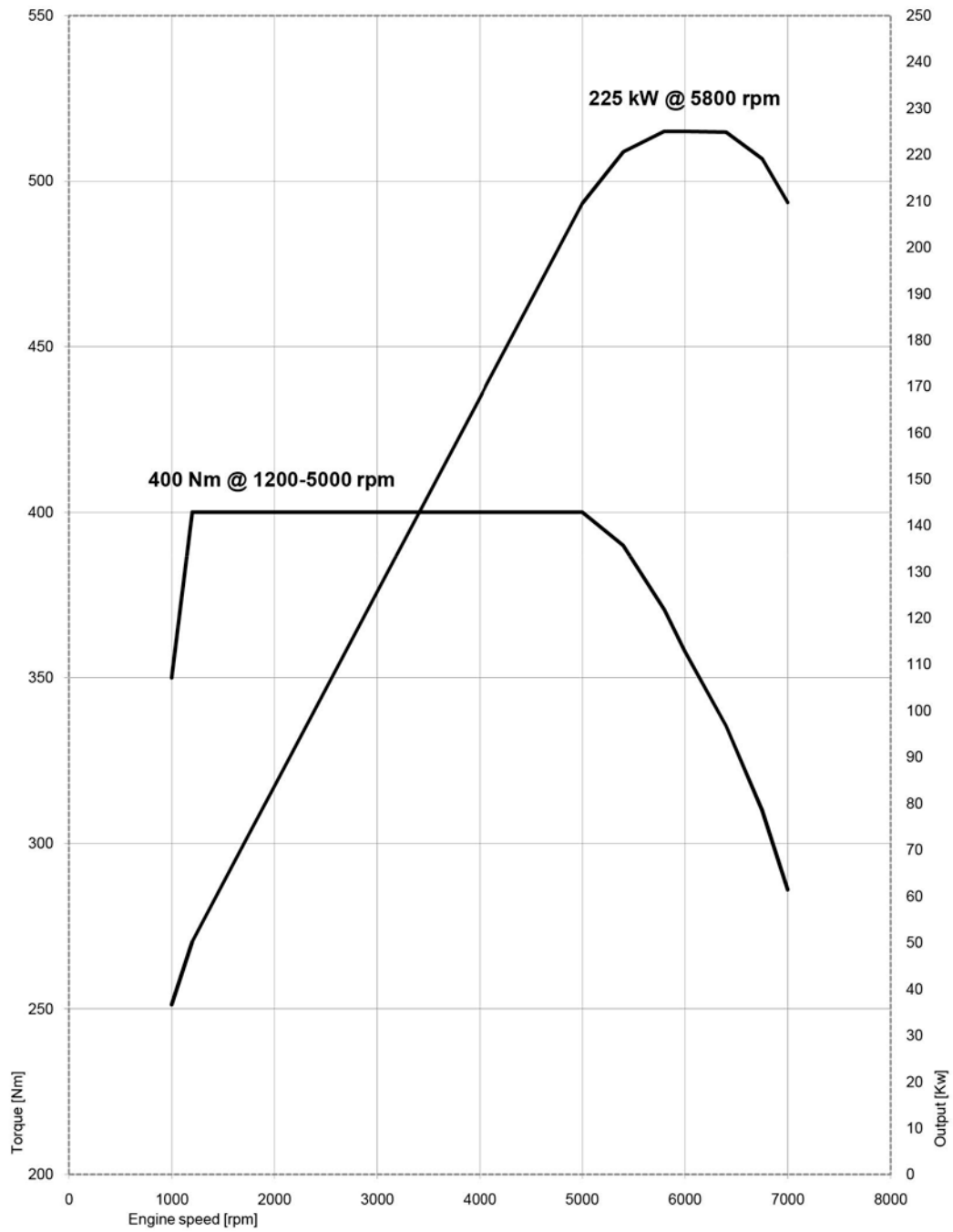
Specifications applicable to ACEA markets/homologation data applicable in part only to Germany (weight), All technical data are provisional

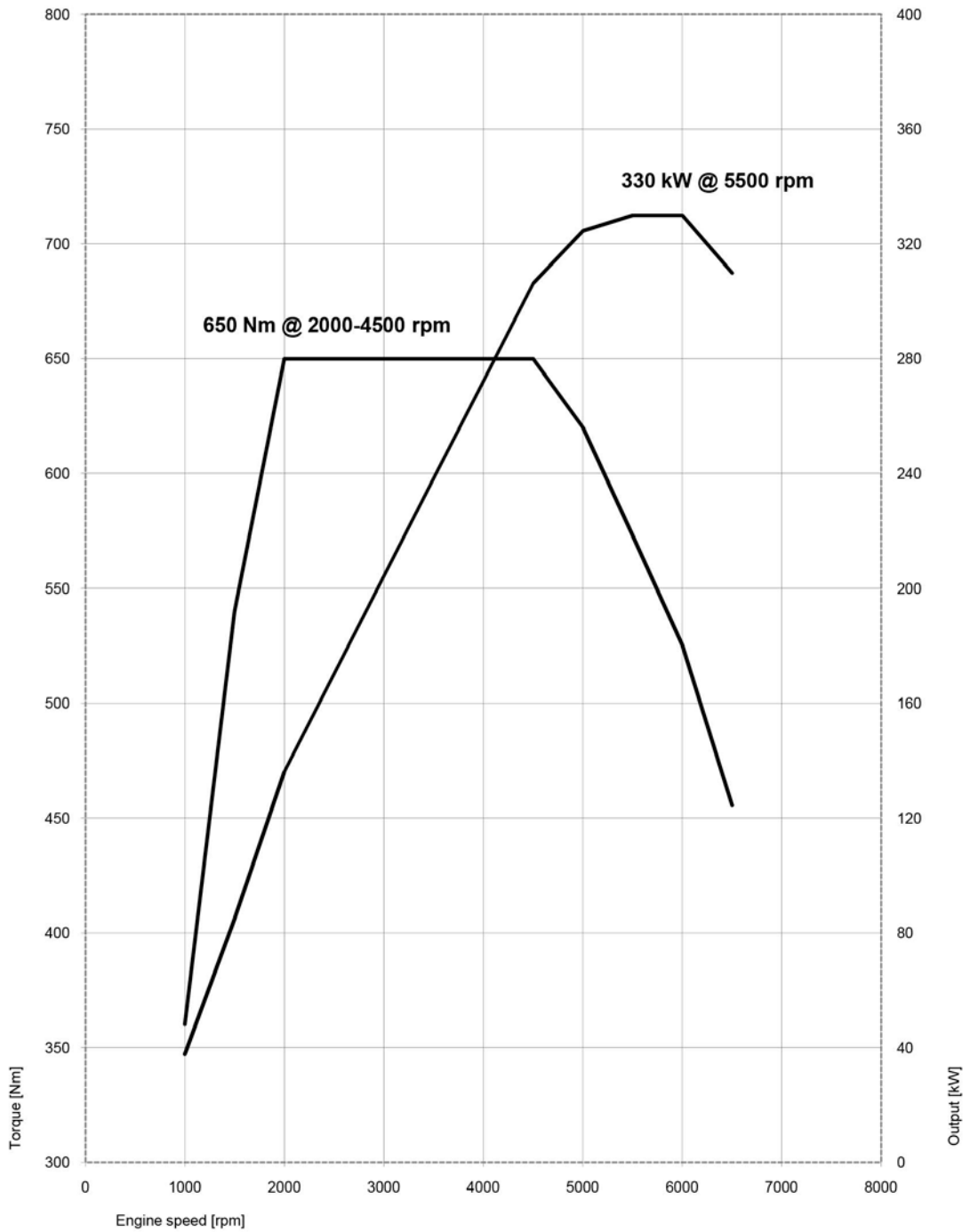
- <sup>1)</sup> Height with roof aerial: 1564 mm  
<sup>2)</sup> Oil change  
<sup>3)</sup> Data not yet available

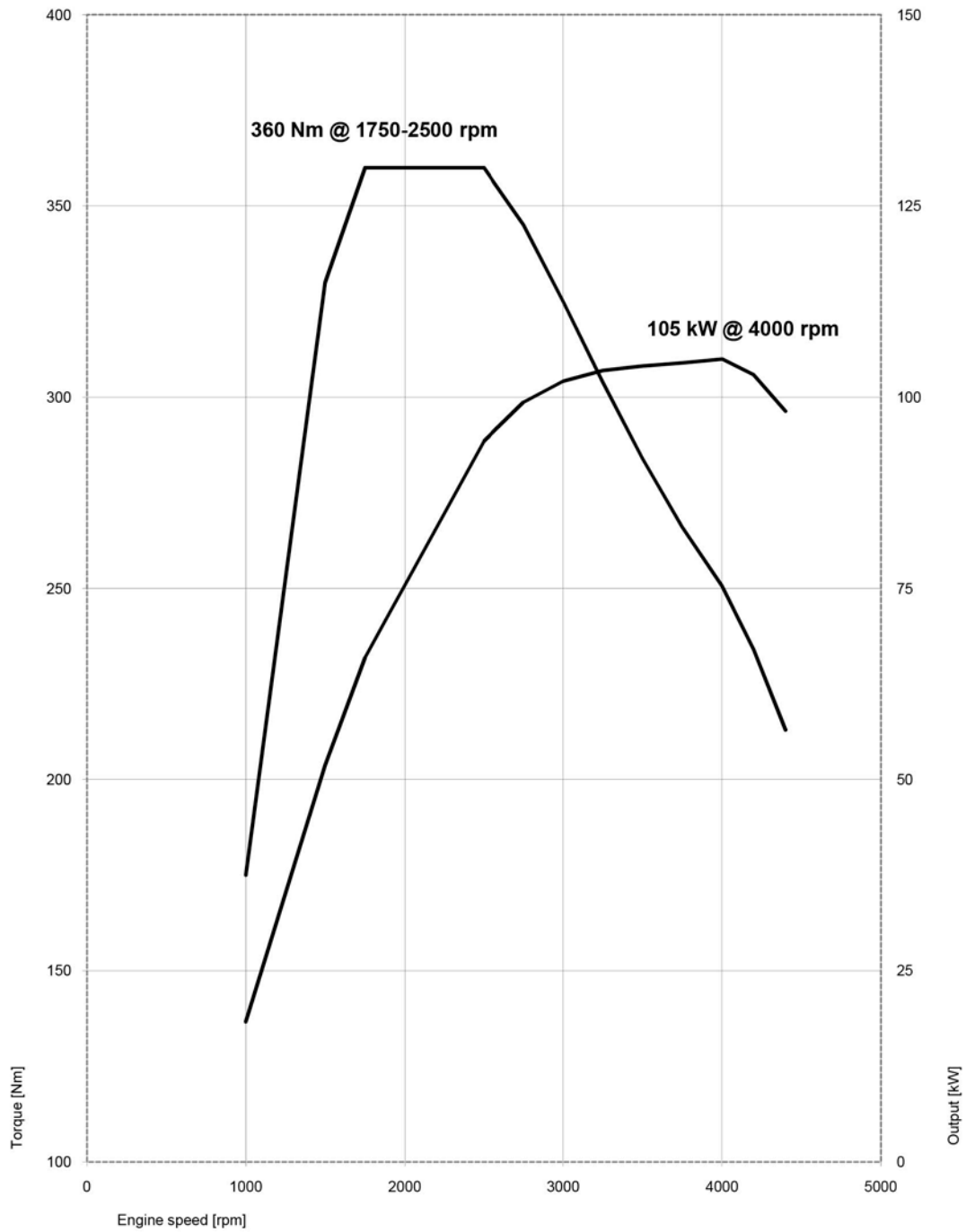
## 8. Output and torque diagrams. BMW 520i.





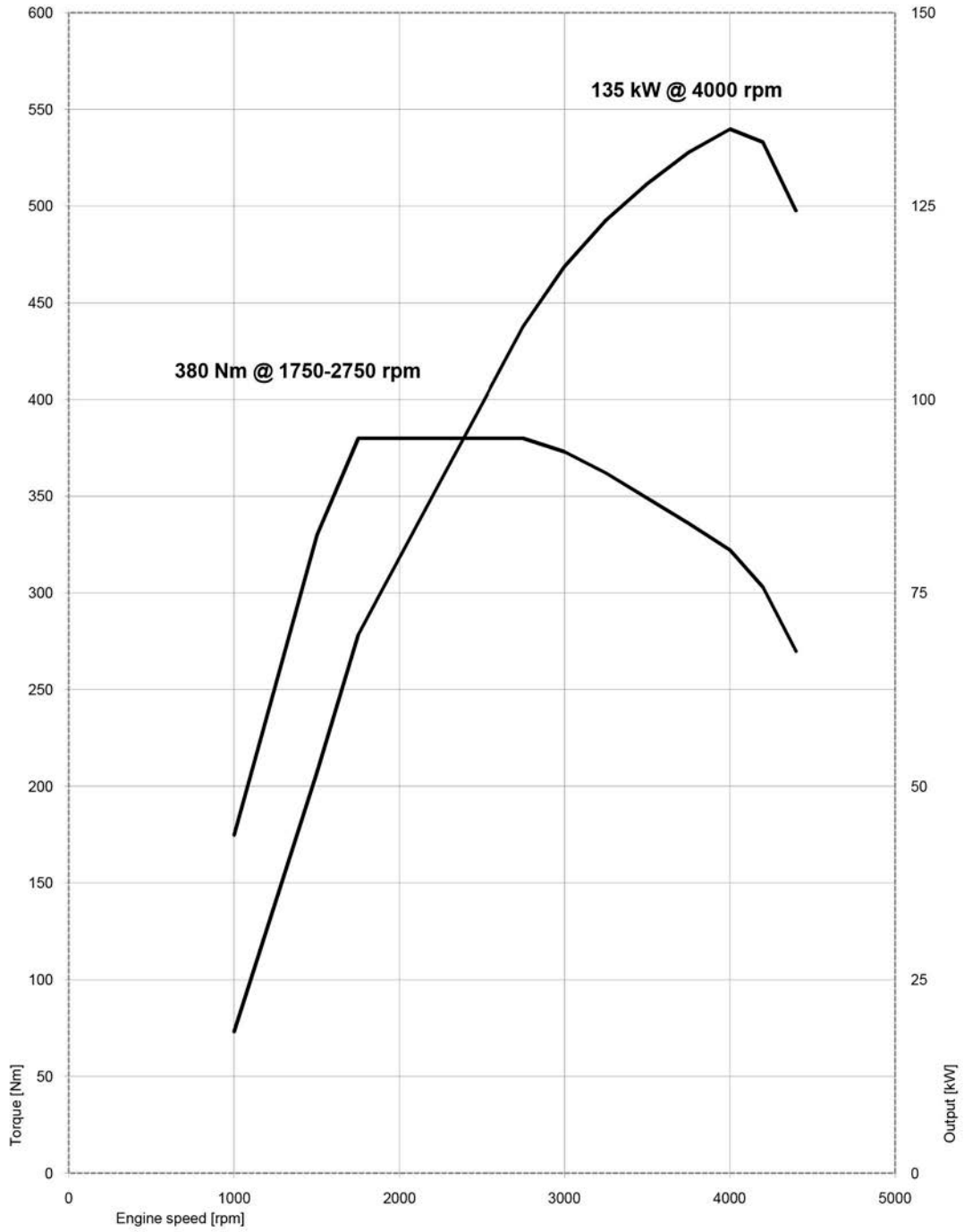


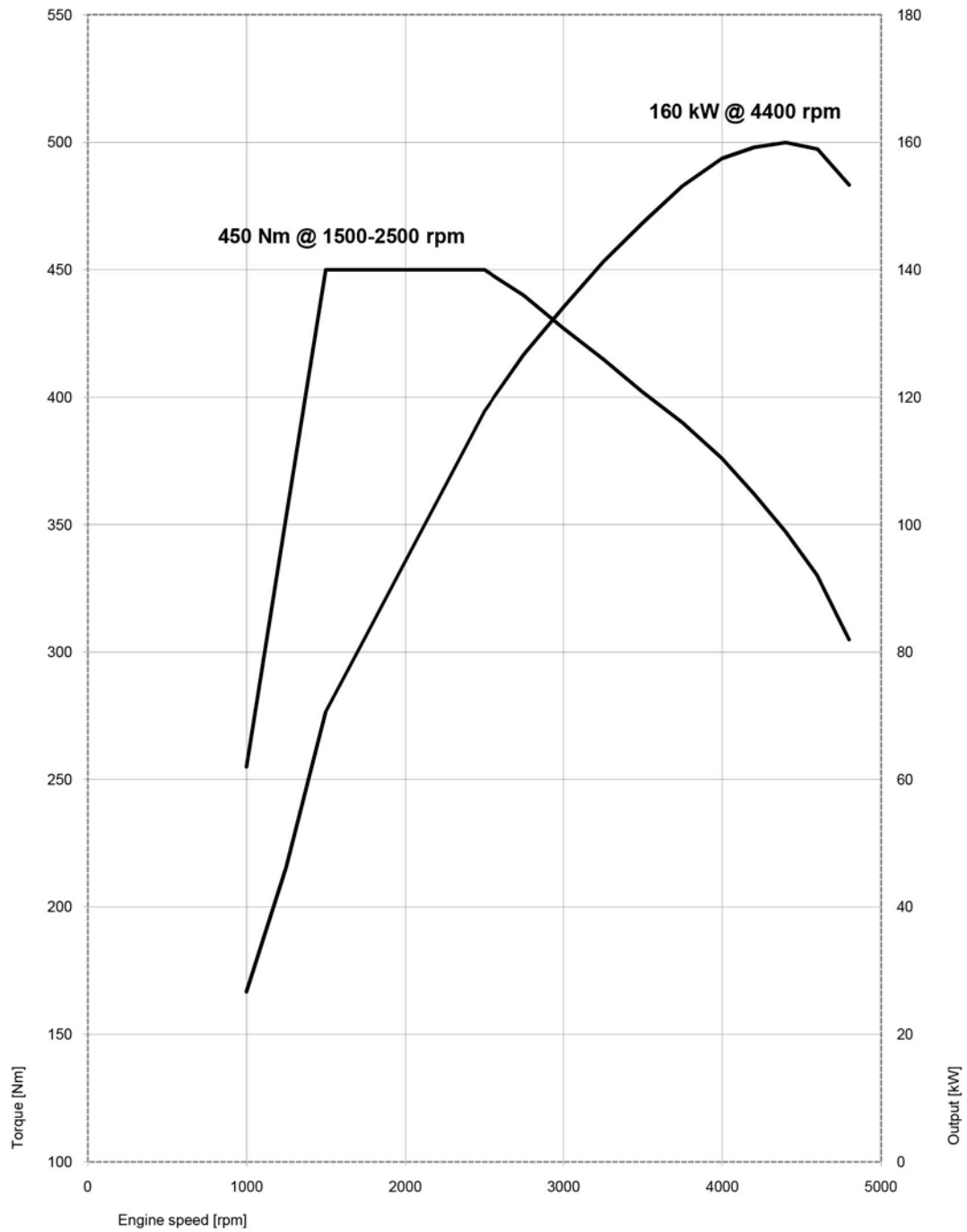


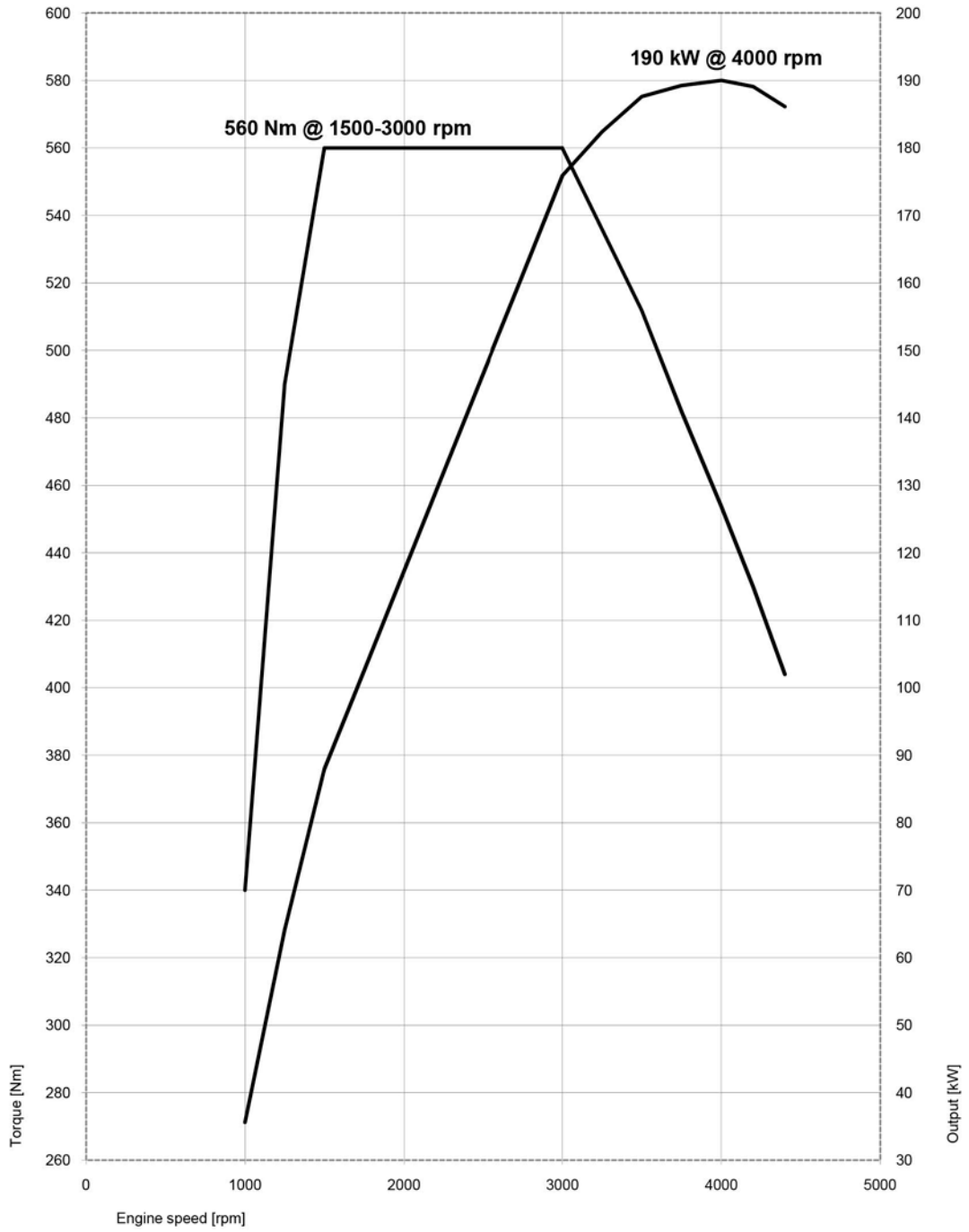


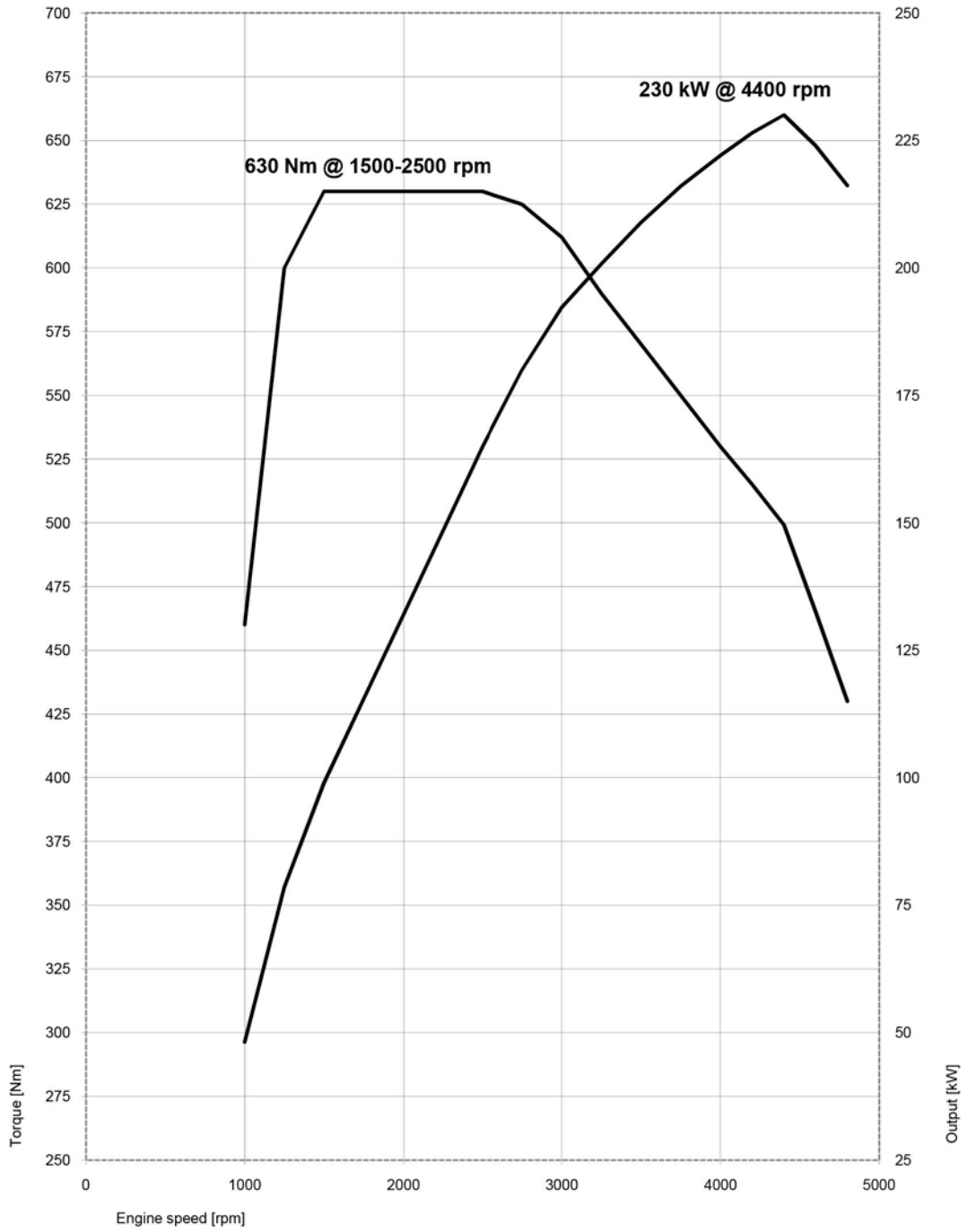


# BMW 520d.

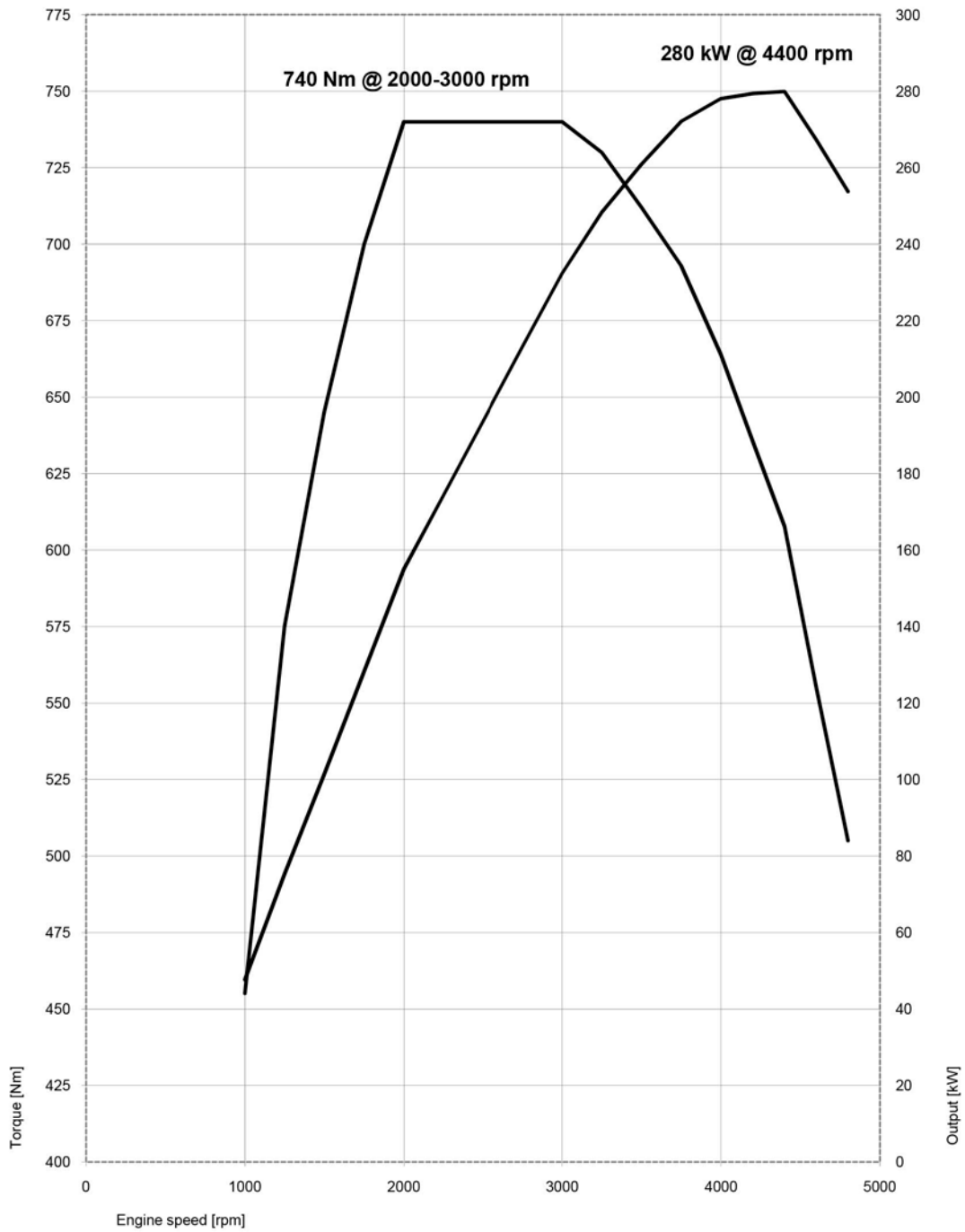




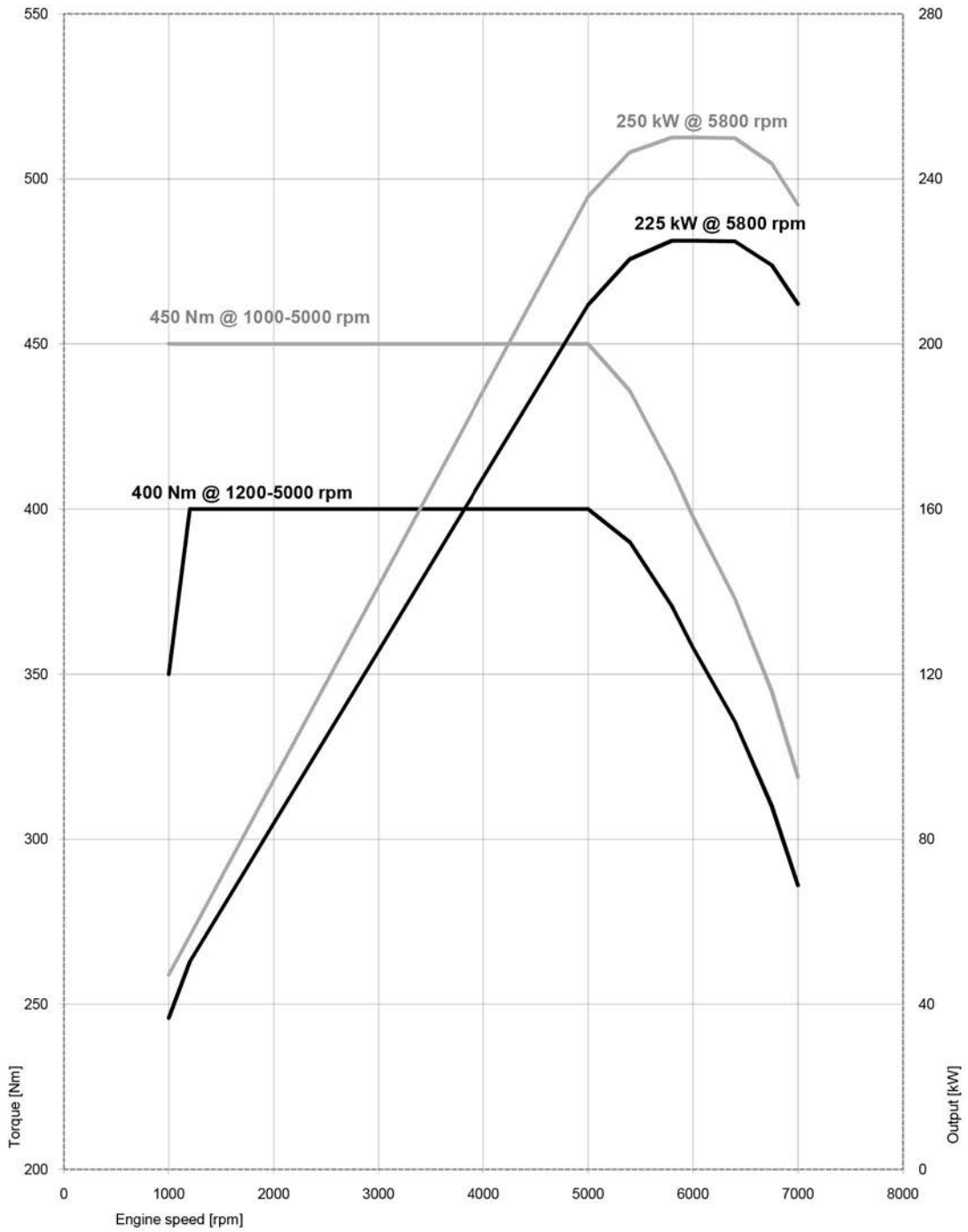




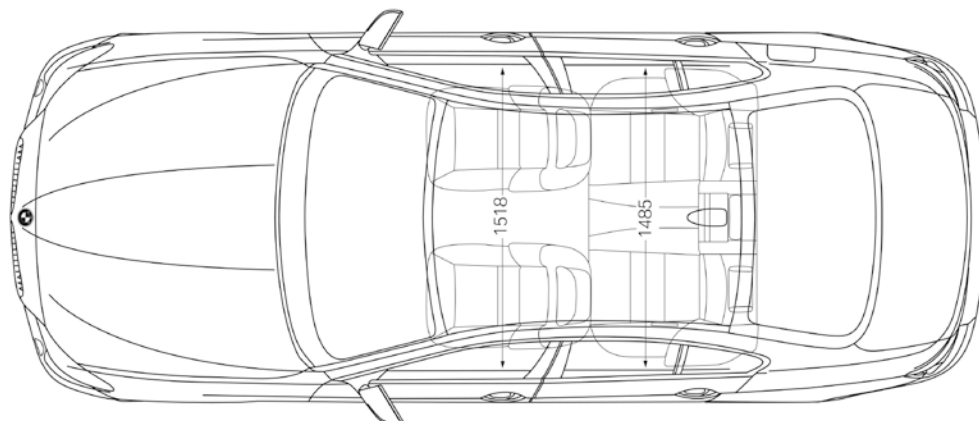
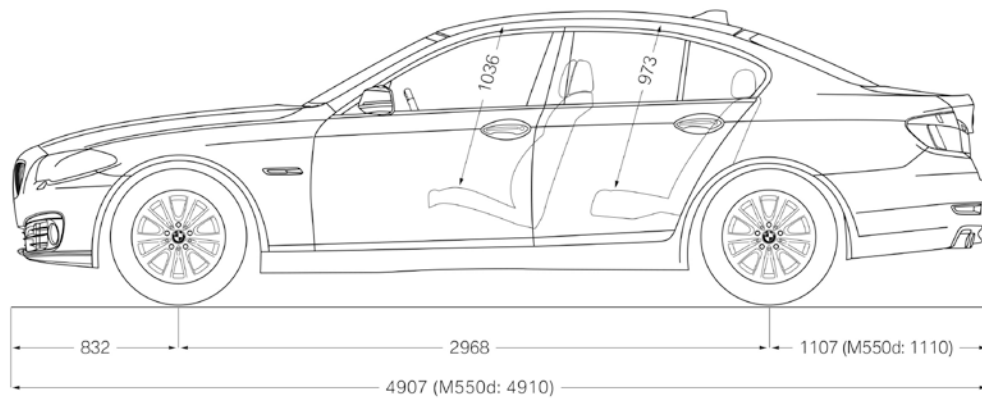
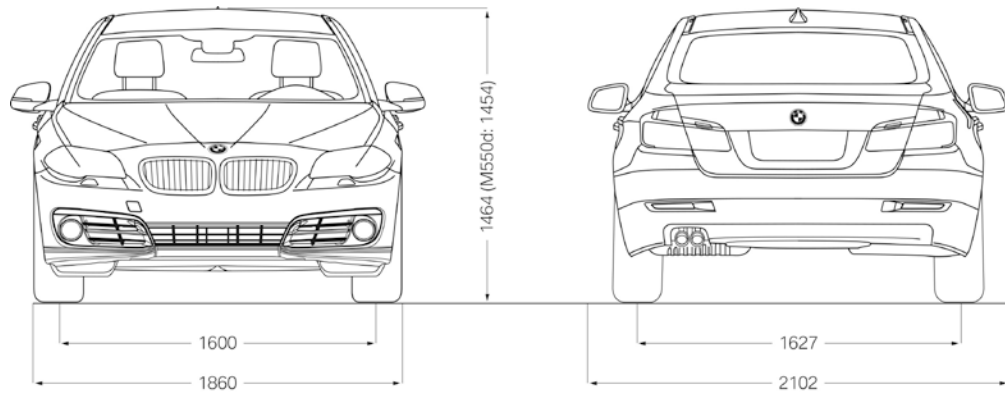
# BMW M550d.



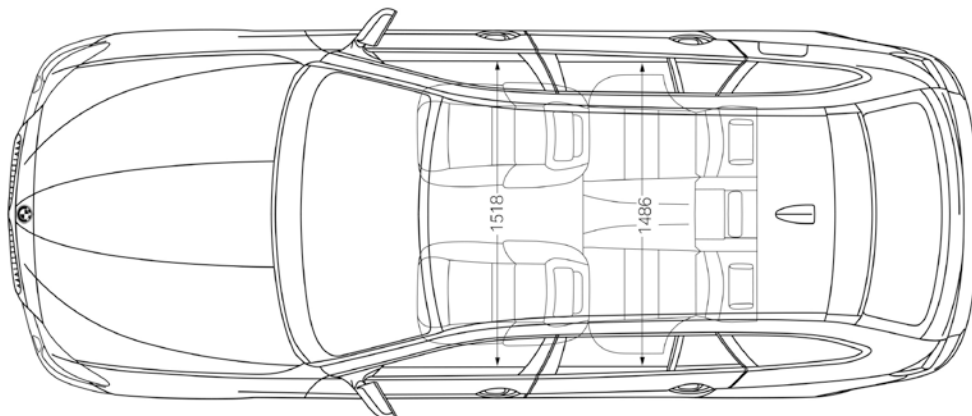
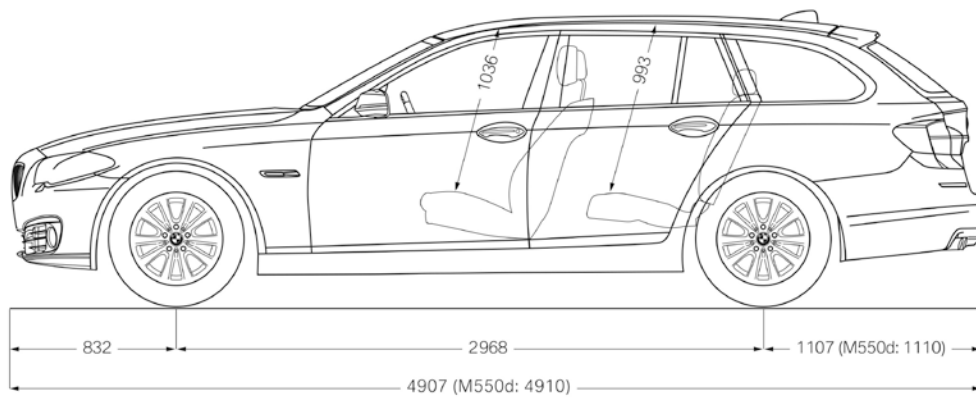
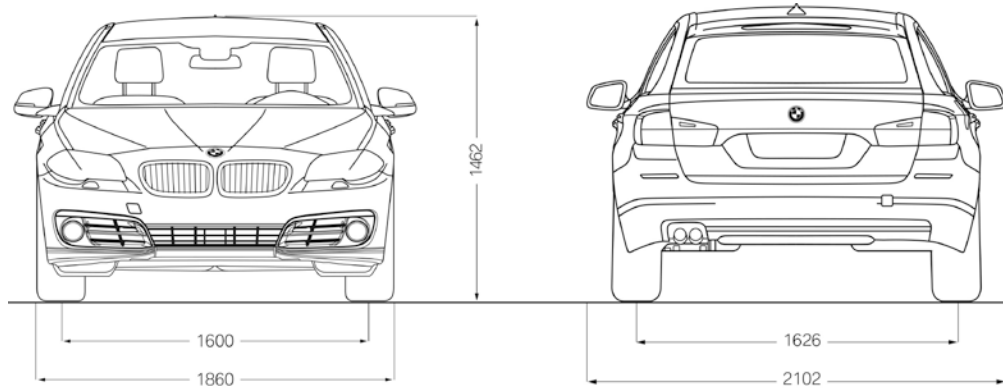
# BMW ActiveHybrid 5.



# 9. Exterior and interior dimensions. BMW 5 Series Sedan.



# BMW 5 Series Touring.





# BMW 5 Series Gran Turismo.

